

CREATE AN EXCELLENT BRAND OF LED DRIVER



## SOSEN LED Driver Your Smart Choice

Contact us right away to capitalize on the best technical and product sales support:

*Email:* [sosen@supremecomponents.com](mailto:sosen@supremecomponents.com)

*Phone:* [+65 6848 1178](tel:+6568481178)

*Website:* [www.supremecomponents.com](http://www.supremecomponents.com)



May, 2022  
[www.sosen.com](http://www.sosen.com)



# About SOSEN

Shenzhen SOSEN Electronics Co Ltd, established in 2011, is a national high-tech enterprise integrating R&D, manufacturing, and sales of high-power LED Driver. SOSEN's products are widely used in domestic and foreign horticulture lighting, outdoor lighting, industrial lighting, landscape lighting, smart lighting, and other fields. SOSEN has launched IPO and was listed on ChiNext, Shenzhen Stock Market in June 2021 with stock code: 301002.

SOSEN independently masters several core technologies of LED Driver and has an enterprise technology center, which has been awarded the Guangdong Engineering Technology Research Center, Guangdong Industrial Design Center, and Shenzhen Enterprise Technology Center. As of the end of 2021, SOSEN and its subsidiaries have a total of 155 authorized patents, including 24 invention patents, 126 utility patents, and 5 design patents. The company's products are comply with multi-national safety certification and have obtained more than 290 product certifications including UL, ENEC, TUV, SAA, KC, BIS and CCC etc.

Based in Shenzhen, a global innovation center, SOSEN has 1,600 employees and the manufacturing facilities covers an area of over 30,000 square meters. At the same time, the more than 70,000 square meters Zhongshan fundraising project (full name: high-power smart LED driver production base and R&D center project) will be put

With accurate and rapid response to market demand, continuous R&D innovation, and excellent product quality, "SOSEN LED Driver" has always been favored by the market and customers and enjoys the reputation of "Shenzhen Top Brand" and "Excellent LED Driver Brand". In the future, SOSEN will always adhere to the vision of "creating an excellent brand of LED Driver" and committed to provide global customers with high-efficiency, energy-saving, stable and reliable LED Driver and solutions, and drive the LED lighting revolution with the power of science and technology.

CREATE AN EXCELLENT BRAND OF LED DRIVER



Leading technology



Continue to innovation



Customer Satisfaction



High efficiency and low consumption





## Internal Environment



SMT Workshop



Auto-potting Line



Auto Plug-in



EMC Test Lab



Environment&Reliability Testing Lab



PART NUMBER SCHEME

SS-730VP-56\*

SS - 730 VP - 56 \*

Company name code

SS : SOSEN

Output power

60	60W
100	100W
200	200W
320	320W
600	600W
730	730W

Product series code

VA	VA series
CP	CP series
M	M series
VP	VP series

Options

	Basic model
B	3-in-1 dimming
BH	3-in-1 dimming w/AUX
T	timing
DH	DALI w/AUX

Vo max

56	22-56V
130	70-130V
343	171-343V
428	214-428V



# Outdoor Lighting



Series	Model	Power	Input Voltage	Certification	Surge	Dimming Type	Output Current	IP	Warranty
GA	SS-65GA	65	220-240	ENEC/RCM/KC/CB/CCC/CE	10kV/6kV	B	ADJ	IP67	5
	SS-100GA	100	220-240	ENEC/RCM/KC/CB/CCC/CE	10kV/6kV	B	ADJ	IP67	5
	SS-150GA	150	220-240	ENEC/RCM/KC/CB/CCC/CE	10kV/6kV	B	ADJ	IP67	5
	SS-200GA	200	220-240	ENEC/RCM/KC/CB/CCC/CE	10kV/6kV	B	ADJ	IP67	5
	SS-240GA	240	220-240	ENEC/RCM/KC/CB/CCC/CE	10kV/6kV	B	ADJ	IP67	5
VA	SS-25VA-L	25	100-277	ENEC/RCM/CB/CCC/UL/cUL/CE	10kV/6kV	B	ADJ	IP67	5
	SS-35VA-L	35	100-277	ENEC/RCM/CB/CCC/UL/cUL/CE	10kV/6kV	B	ADJ	IP67	5
	SS-50VA-L	50	100-277	ENEC/RCM/CB/CCC/UL/cUL/CE	10kV/6kV	B	ADJ	IP67	5
	SS-60VA-L	60	100-277	ENEC/RCM/CB/CCC/UL/cUL/CE	10kV/6kV	B	ADJ	IP67	5
	SS-40VA-T	40	100-277	CCC	10kV/6kV	B/T	ADJ	IP67	5
	SS-60VA-T	60	100-277	CCC	10kV/6kV	B/T	ADJ	IP67	5
	SS-30VA	30	100-277	ENEC/RCM/CE/UL/cUL/CCC/ClassP	10kV/6kV	B/T	ADJ	IP67	5
	SS-50VA	50	100-277	ENEC/RCM/CE/UL/cUL/CCC/ClassP	10kV/6kV	B/T	ADJ	IP67	5
	SS-75VA	75	100-277	ENEC/RCM/CE/UL/cUL/CCC/ClassP	10kV/6kV	B/T	ADJ	IP67	5
	SS-100VA	100	100-277	ENEC/RCM/CE/UL/cUL/CCC/ClassP	10kV/6kV	B/T	ADJ	IP67	5
	SS-150VA	150	100-277	ENEC/RCM/CCC/UL/cUL/CB/Class P/NOM	10kV/6kV	B/T	ADJ	IP67	5
	SS-200VA	200	100-277	ENEC/RCM/CCC/UL/cUL/CB/Class P/NOM	10kV/6kV	B/T	ADJ	IP67	5
	SS-240VA	240	100-277	ENEC/RCM/CCC/UL/cUL/CB/Class P/NOM	10kV/6kV	B/T	ADJ	IP67	5
PA	SS-22PA	22	220-240	ENEC/CB/CE	10kV/6kV	B	PR	IP20	5
	SS-40PA	40	220-240	ENEC/CB/CE	10kV/6kV	B	PR	IP20	5
	SS-75PA	75	220-240	ENEC/CB/CE	10kV/6kV	B	PR	IP20	5
	SS-110PA	110	220-240	ENEC/CB/CE	10kV/6kV	B	PR	IP20	5
	SS-165PA	165	220-240	ENEC/CB/CE	10kV/6kV	B	PR	IP20	5
VP	SS-50VP	50	100-277	ENEC/RCM/CB/CCC/UL/cUL/CE/DALI-2/ClassP	10kV/6kV	BH/DH	PR	IP67	8
	SS-75VP	75	100-277	ENEC/RCM/CB/CCC/UL/cUL/CE/DALI-2/ClassP	10kV/6kV	BH/DH	PR	IP67	8
	SS-100VP	100	100-277	ENEC/RCM/CB/CE/CCC/UL/cUL/DALI-2/ClassP	10kV/6kV	BH/DH	PR	IP67	8
	SS-200VP	200	100-277	ENEC/RCM/CB/CE/CCC/UL/cUL/DALI-2/ClassP	10kV/6kV	BH/DH	PR	IP67	8
	SS-240VP	240	100-277	ENEC/RCM/CB/CE/CCC/UL/cUL/DALI-2/ClassP	10kV/6kV	BH/DH	PR	IP67	8
	SS-320VP	320	100-277	ENEC/RCM/CB/CE/CCC/UL/cUL/DALI-2/ClassP	10kV/6kV	BH/DH	PR	IP67	8
	SS-500VP	500	100-277	ENEC/RCM/CB/CE/CCC/UL/cUL/DALI-2/ClassP	10kV/6kV	BH/DH	PR	IP67	8
	SS-600VP	600	100-277	ENEC/RCM/CB/CE/CCC/UL/cUL/DALI-2/ClassP	10kV/6kV	BH/DH	PR	IP67	8
SS-720VP	720	100-277	ENEC/RCM/CE/CB/UL/cUL/DALI-2/ClassP	10kV/6kV	BH/DH	PR	IP67	8	

B: 3-in-1 dimming; T: Timer dimming; BH: 3-in-1 dimming +Aux; DH: DALI dimming +Aux; ADJ: Adjustable with potentiometer; PR: Programmable; NA: Non-dimming

Series	Model	Power	Input Voltage	Certification	Surge	Dimming Type	Output Current	IP	Warranty
M	SS-100M	100	277-480	UL/cUL/Class P/FCC/Class 2	10kV/6kV	BH	PR	IP67	5
	SS-150M	150	277-480	UL/cUL/Class P/FCC	10kV/6kV	BH	PR	IP67	5
	SS-240M	240	277-480	UL/cUL/Class P/FCC	10kV/6kV	BH	PR	IP67	5
	SS-600M	600	220-480	UL/cUL/Class P	10kV/6kV	BH	PR	IP67	5
EP	SS-15EP	15	120-277	UL/cUL/TUV/CE	6kV/6kV	B	ADJ	/	5
	SS-25EP	25	120-277	UL/cUL/TUV/CE	6kV/6kV	B	ADJ	/	5
	SS-35EP	35	120-277	UL/cUL/TUV/CE	6kV/6kV	B	ADJ	/	5
	SS-50EP	50	120-277	UL/cUL/TUV/CE	6kV/6kV	B	ADJ	/	5
	SS-75EP	75	120-277	UL/cUL/TUV/CCC	10kV/6kV	B	ADJ	/	5
	SS-100EP	100	120-277	UL/cUL/TUV/CCC	10kV/6kV	B	ADJ	/	5
	SS-150EP	150	120-277	UL/cUL/TUV/CCC	10kV/6kV	B	ADJ	/	5
	SS-200EP	200	120-277	UL/cUL/TUV/CCC	10kV/6kV	B	ADJ	/	5
NL	SS-120NL	120	100-277	UL/cUL/TUV/CB/CE	6kV/6kV	B	ADJ	/	5
	SS-150NL	150	100-277	UL/cUL/TUV/CB/CE	6kV/6kV	B	ADJ	/	5
	SS-200NL	200	100-277	UL/cUL/TUV/CB/CE	6kV/6kV	B	ADJ	/	5
	SS-240NL	240	100-277	UL/cUL/TUV/CB/CE	6kV/6kV	B	ADJ	/	5
NH	SS-120NH	120	100-277	UL/cUL/TUV/CB/CE	6kV/6kV	BH	ADJ	/	5
	SS-150NH	150	100-277	UL/cUL/TUV/CB/CE	6kV/6kV	BH	ADJ	/	5
	SS-200NH	200	100-277	UL/cUL/TUV/CB/CE	6kV/6kV	BH	ADJ	/	5
	SS-240NH	240	100-277	UL/cUL/TUV/CB/CE	6kV/6kV	BH	ADJ	/	5
	SS-120NH-M	120	120-347	UL/cUL	6kV/6kV	BH	ADJ	/	5
	SS-150NH-M	150	120-347	UL/cUL	6kV/6kV	BH	ADJ	/	5
	SS-200NH-M	200	120-347	UL/cUL	6kV/6kV	BH	ADJ	/	5
	SS-240NH-M	240	120-347	UL/cUL	6kV/6kV	BH	ADJ	/	5

# Horticulture Lighting



Series	Model	Power	Input Voltage	Certification	Surge	Dimming Type	Output Current	IP	Warranty
VP	SS-400VP	400	100-277	ENEC/RCM/CB/CE/CCC/UL/cUL/DALI-2/ClassP	10kV/6kV	BH/DH	PR	IP67	5
	SS-650VP	650	100-277	ENEC/CB/CE/UL/cUL/ClassP	10kV/6kV	BH	PR	IP67	5
	SS-730VP	730	100-277	ENEC/CB/UL/cUL/ClassP	10kV/6kV	BH	PR	IP67	5
	SS-1000VP	1000	200-277	UL/cUL	10kV/6kV	BH	PR	IP67	5
	SS-200VP-H	200	100-277	UL/cUL/CE	10kV/6kV	BH	PR	IP67	5
	SS-240VP-H	240	100-277	UL/cUL/CE	10kV/6kV	BH	PR	IP67	5
	SS-320VP-H	320	100-277	UL/cUL/CE	10kV/6kV	BH	PR	IP67	5



Series	Model	Power	Input Voltage	Certification	Surge	Dimming Type	Output Current	IP	Warranty
M	SS-320M	320	277-480	UL/cUL/Class P/FCC	10kV/6kV	BH	PR	IP67	5
	SS-680M	680	277-480	UL/cUL/Class P	10kV/6kV	BH	PR	IP67	5
	SS-800M	800	220-480	UL/cUL/Class P	10kV/6kV	BH	PR	IP67	5
	SS-880M	880	277-480	UL/cUL/CE	6kV/6kV	BH	PR	IP67	5
L	SS-75L	75	120-277	UL/cUL/TUV/CB/CE/Class P	6kV/6kV	B	NA	/	5
	SS-100L	100	120-277	UL/cUL/TUV/CB/CE/Class P	6kV/6kV	B	NA	/	5
LV	SS-75LV	75	120-277	UL/cUL/TUV/CB/CE	6kV/6kV	B	NA	/	5
	SS-100LV	100	120-277	UL/cUL/TUV/CB/CE	6kV/6kV	B	NA	/	5
VH	SS-75VH	75	100-277	UL/cUL/ENEC/RCM/CCC/CB/CE	10kV/6kV	B	PR	IP67	5
	SS-100VH	100	100-277	UL/cUL/ENEC/RCM/CCC/CB/CE	10kV/6kV	B	PR	IP67	5
	SS-150VH	150	100-277	UL/cUL/ENEC/RCM/CCC/CB/CE	10kV/6kV	B	PR	IP67	5
	SS-200VH	200	100-277	UL/cUL/ENEC/RCM/CCC/CB/CE	10kV/6kV	B	PR	IP67	5
	SS-240VH	240	100-277	UL/cUL/ENEC/RCM/CCC/CB/CE	10kV/6kV	B	PR	IP67	5
	SS-75VH-E	75	100-277	UL/cUL/ENEC/RCM/CCC/CB/CE/UKCA/EAC	10kV/6kV	B	PR	IP67	5
	SS-100VH-E	100	100-277	UL/cUL/ENEC/RCM/CCC/CB/CE/UKCA/EAC	10kV/6kV	B	PR	IP67	5
	SS-150VH-E	150	100-277	UL/cUL/ENEC/RCM/CCC/CB/CE/UKCA/EAC	10kV/6kV	B	PR	IP67	5
	SS-200VH-E	200	100-277	UL/cUL/ENEC/RCM/CCC/CB/CE/UKCA/EAC	10kV/6kV	B	PR	IP67	5
SS-240VH-E	240	100-277	UL/cUL/ENEC/RCM/CCC/CB/CE/UKCA/EAC	10kV/6kV	B	PR	IP67	5	

## Industrial Lighting

Series	Model	Power	Input Voltage	Certification	Surge	Dimming Type	Output Current	IP	Warranty
CNL-E	SS-120CNL-E	120	120-277	UL/cUL/TUV/RCM/CCC/CE/EAC	6kV/6kV	B/BH	ADJ	IP65	5
	SS-150CNL-E	150	120-277	UL/cUL/TUV/RCM/CCC/CE/EAC	6kV/6kV	B/BH	ADJ	IP65	5
	SS-200CNL-E	200	120-277	UL/cUL/TUV/RCM/CCC/CE/EAC	6kV/6kV	B/BH	ADJ	IP65	5
	SS-240CNL-E	240	120-277	UL/cUL/TUV/RCM/CCC/CEEAC	6kV/6kV	B/BH	ADJ	IP65	5
CA	SS-100CA	100	100-277	UL/cUL/ENEC/RCM/CCC/CB/CE/Class P	6kV/6kV	BH/DH	ADJ	IP65	5
	SS-150CA	150	100-277	UL/cUL/ENEC/RCM/CCC/CB/CE/Class P	6kV/6kV	BH/DH	ADJ	IP65	5
	SS-200CA	200	100-277	UL/cUL/ENEC/RCM/CCC/CB/CE/Class P	6kV/6kV	BH/DH	ADJ	IP65	5
	SS-240CA	240	100-277	UL/cUL/ENEC/RCM/CCC/CB/CE/Class P	6kV/6kV	BH/DH	ADJ	IP65	5
	SS-300CA	300	100-277	UL/cUL/ENEC/RCM/CCC/CB/CE/Class P	6kV/6kV	BH/DH	ADJ	IP65	5
SS-480CA	480	100-277	UL/cUL/ENEC/CB/CE/Class P	6kV/6kV	BH/DH	ADJ	IP65	5	

B: 3-in-1 dimming; T: Timer dimming; BH: 3-in-1 dimming +Aux; DH: DALI dimming +Aux;  
ADJ: Adjustable with potentiometer; PR: Programmable; NA: Non-dimming

Series	Model	Power	Input Voltage	Certification	Surge	Dimming Type	Output Current	IP	Warranty
CP	SS-100CP	100	120-277	UL/cUL/TUV/RCM/CB/CCC/BIS/CE	4kV/4kV	B	ADJ	IP65	5
	SS-150CP	150	120-277	UL/cUL/TUV/RCM/CB/CCC/BIS/CE	4kV/4kV	B	ADJ	IP65	5
	SS-200CP	200	120-277	UL/cUL/TUV/RCM/CB/CCC/BIS/CE	4kV/4kV	B	ADJ	IP65	5
	SS-240CP	240	120-277	UL/cUL/TUV/RCM/CB/CCC/BIS/CE	4kV/4kV	B	ADJ	IP65	5
CNL	SS-60CNL	60	100-277	UL/cUL/TUV/RCM/CCC/CB	6kV/6kV	B/BH/BHC/BHB	ADJ	IP65	5
	SS-120CNL	120	100-277	UL/cUL/TUV/RCM/CCC/CB	6kV/6kV	B/BH/BHC/BHB	ADJ	IP65	5
	SS-150CNL	150	100-277	UL/cUL/TUV/RCM/CCC/CB	6kV/6kV	B/BH/BHC/BHB	ADJ	IP65	5
	SS-200CNL	200	100-277	UL/cUL/TUV/RCM/CCC/CB	6kV/6kV	B/BH/BHC/BHB	ADJ	IP65	5
	SS-240CNL	240	100-277	UL/cUL/TUV/RCM/CCC/CB	6kV/6kV	B/BH/BHC	ADJ	IP65	5
SA	SS-100SA	100	277-480	UL/cUL/Class P	4kV/4kV	BH	ADJ	IP65	5
	SS-150SA	150	277-480	UL/cUL/Class P	4kV/4kV	BH	ADJ	IP65	5
	SS-240SA	240	277-480	UL/cUL/Class P	4kV/4kV	BH	ADJ	IP65	5
SN	SS-120SN	120	120-347	UL/cUL	6kV/6kV	BH	ADJ	IP65	5
	SS-150SN	150	120-347	UL/cUL	6kV/6kV	BH	ADJ	IP65	5
	SS-200SN	200	120-347	UL/cUL	6kV/6kV	BH	ADJ	IP65	5
	SS-240SN	240	120-347	UL/cUL	6kV/6kV	BH	ADJ	IP65	5

## Landscape Lighting

Series	Model	Power	Input Voltage	Certification	Surge	Dimming Type	Output Current	IP	Warranty
AH	SS-35AH	35	100-277	CE	4kV/2kV	NA	ADJ	IP67	5
	SS-72AH	72	100-277	CCC/CE	6kV/4kV	NA	ADJ	IP67	5

## Industrial LED Driver

Series	Model	Power	Input Voltage	Certification	Surge	Dimming Type	Output Current	IP	Warranty
UV	SS-160UV	160	200-240		4kV/2kV	B	NA	/	3
	SS-240UV	240	200-240		2kV/2kV	B	NA	/	3
	SS-350UV	350	100-120/200-240		2kV/1kV	B	NA	/	3
	SS-450UV	450	200-240		2kV/1kV	B	NA	/	3

B: 3-in-1 dimming; T: Timer dimming; BH: 3-in-1 dimming +Aux; DH: DALI dimming +Aux;  
ADJ: Adjustable with potentiometer; PR: Programmable; NA: Non-dimming



## CONTENTS

VH/VH-E Series	10
GA Series	11
VA Series	12
VP Series	13
PA Series	15
EP Series	16
M Series	17
LV Series	19
L Series	20
NL/NH Series	21
CNL-E Series	22
CA Series	23
CP Series	24
CNL Series	25
SA Series	26
SN Series	27
AH Series	28
UV Series	29
SPD Series	30

- Input voltage: 100-277Vac
- Double-stage, flicker free
- Programmable, CLO, ELA, SSA
- 10kV/6kV surge protection
- 3-in-1 isolated dimming
- Negative logic dimming
- 5 years warranty



### Power Levels

75W	100W	150W
200W	240W	

### Applications:

Street light, Flood light, Gas station light

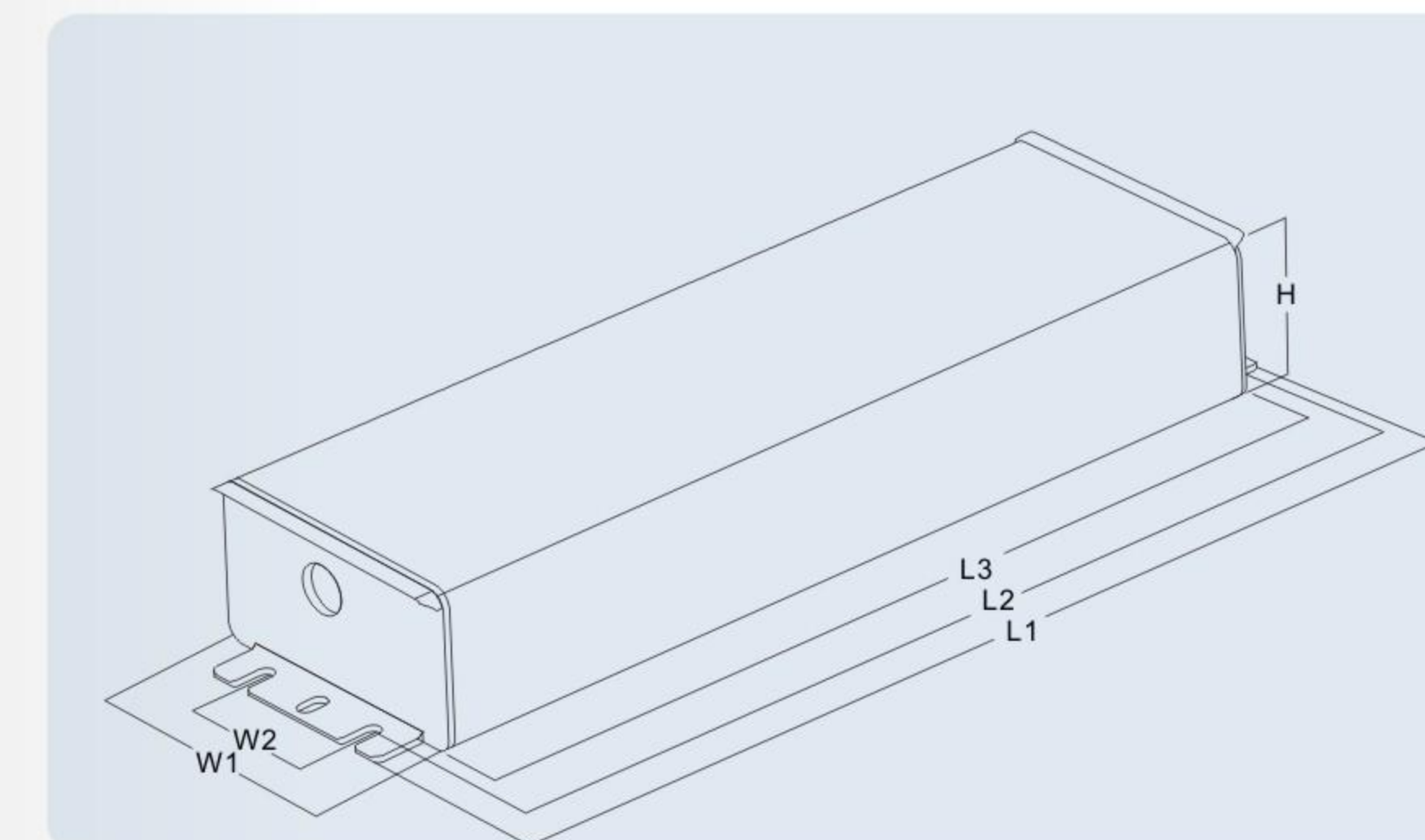


EAC (VH-E series only)

### Dimension

Units: mm/in

Model	L1	L2	L3	W1	W2	H
75/100 VH/VH-E	145	136	128	66	32	35
	5.71	5.35	5.04	2.60	1.26	1.38
150VH 150VH-E 200VH-E	165	156	148	66	32	37
	6.50	6.14	5.83	2.60	1.26	1.46
200VH 240VH-E	180	171	163	66	32	37
	7.09	6.73	6.42	2.60	1.26	1.46
240VH	195	186	178	66	32	39
	7.68	7.32	7.01	2.60	1.26	1.54



### SPECIFICATION

Model	Output Voltage(V)	Output Current(A)	Output Power(W)	Efficiency	PF	Dimension(mm)
SS-75VH-56B	28-56	0.35-2.1	75	90.0%	0.97	145*66*35
SS-100VH-56B	28-56	0.35-2.66	96	90.5%	0.97	145*66*35
SS-150VH-56B	28-56	0.7-4.2	151.2	93.0%	0.98	165*66*37
SS-200VH-56B	28-56	0.7-5.6	201.6	94.0%	0.98	180*66*37
SS-240VH-56B	28-56	0.7-6.7	241.2	94.5%	0.98	195*66*39
SS-75VH-E108B	54-108	0.1-1.05	75	90.0%	0.97	145*66*35
SS-100VH-E143B	72-143	0.1-1.05	100	90.0%	0.97	145*66*35
SS-150VH-E56B	28-56	0.7-4.2	150	93.0%	0.98	165*66*37
SS-150VH-E215B	108-215	0.1-1.05	150	92.0%	0.97	165*66*37
SS-200VH-E56B	28-56	0.7-5.6	200	93.0%	0.98	165*66*37
SS-200VH-E286B	143-286	0.1-1.05	200	93.0%	0.97	165*66*37
SS-240VH-E56B	28-56	0.7-6.7	240	93.5%	0.98	180*66*37
SS-240VH-E343B	171-343	0.1-1.05	240	93.0%	0.97	180*66*37

Note: B, 3-in-1 dimming, (0-10V, PWM, Resistor)  
Please refer to spec for more details



- Input voltage: 220-240Vac
- Double-stage, flicker free
- 10kV/6kV surge protection
- 3-in-1 isolated dimming
- 5 years warranty



### Power Levels

65W      100W      150W  
200W      240W

### Applications:

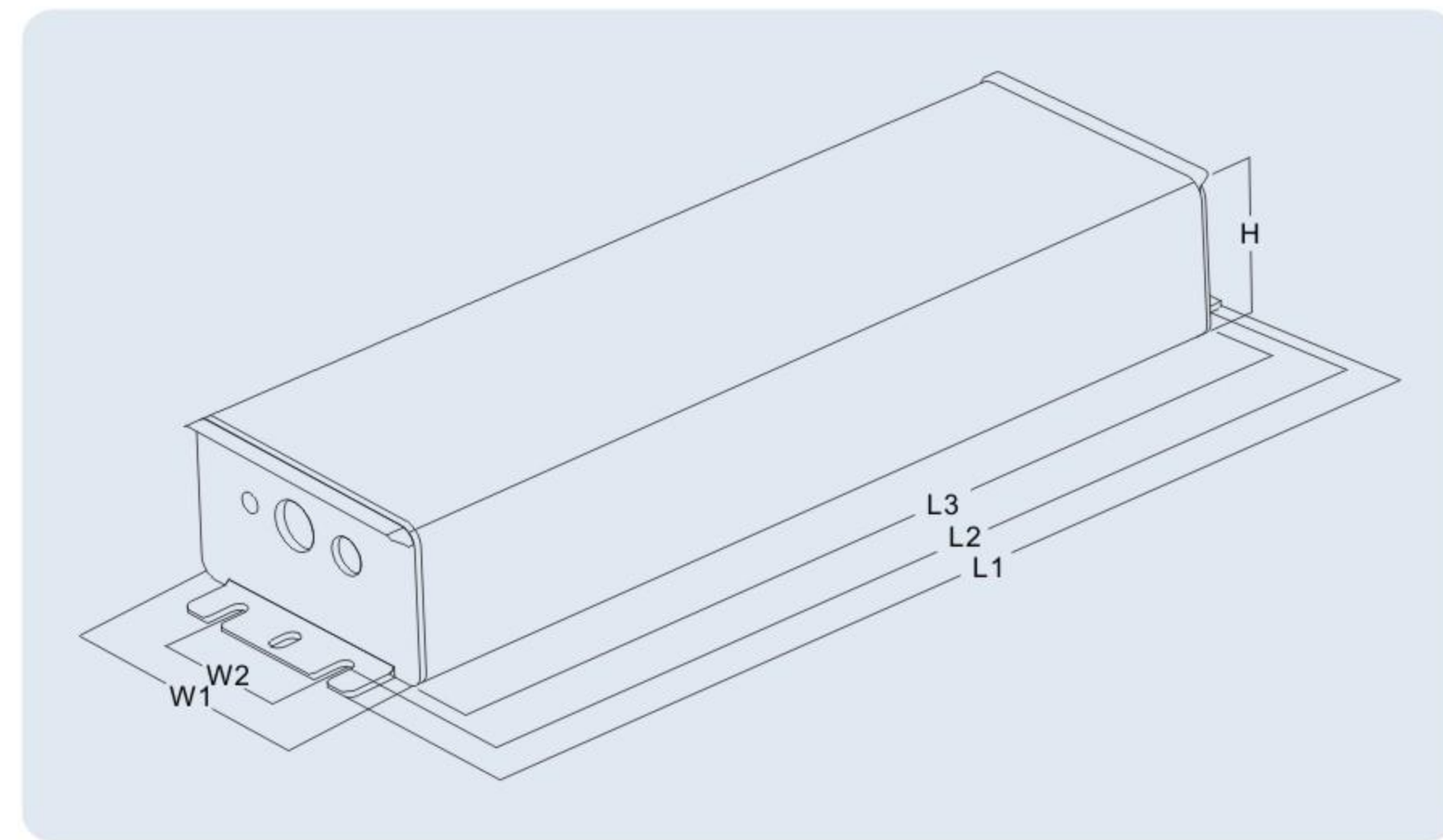
Street light, Tunnel light, Flood light, Gas station light



### Dimension

Units: mm/in

Model	L1	L2	L3	W1	W2	H
65GA	151.5	137	127.5	66	32	35.5
	5.96	5.39	5.02	2.60	1.26	1.40
100GA	171	156	147	66	32	35.5
	6.73	6.14	5.79	2.60	1.26	1.40
150GA	200	185	176	66	32	39.5
	7.87	7.28	6.93	2.60	1.26	1.56
200GA	218	203	194	66	32	39.5
	8.58	7.99	7.64	2.60	1.26	1.56
240GA	221	206	197	71	34	39.5
	8.70	8.11	7.76	2.80	1.34	1.56



### SPECIFICATION

Model	Output Voltage(V)	Output Current(A)	Output Power(W)	Efficiency	PF	Dimension(mm)
SS-65GA-56*	22-56	1.2-2.4	65	87.5%	0.98	151.5*66*35.5
SS-100GA-56*	22-56	1.6-3.2	100	91.0%	0.96	171*66*35.5
SS-150GA-56*	22-56	2.1-4.2	150	92.0%	0.98	200*66*39.5
SS-200GA-56*	22-56	2.8-5.6	200	92.5%	0.98	218*66*39.5
SS-240GA-56*	22-56	3.3-6.7	240	93.0%	0.98	221*71*39.5

Note: \*=B, 3-in-1 dimming, (1-10V, PWM, Resistor)  
Please refer to spec for more details

- Input voltage: 100-277Vac
- Double-stage, flicker free
- 10kV/6kV surge protection
- 3-in-1 isolated dimming
- Global certified
- 5 years warranty

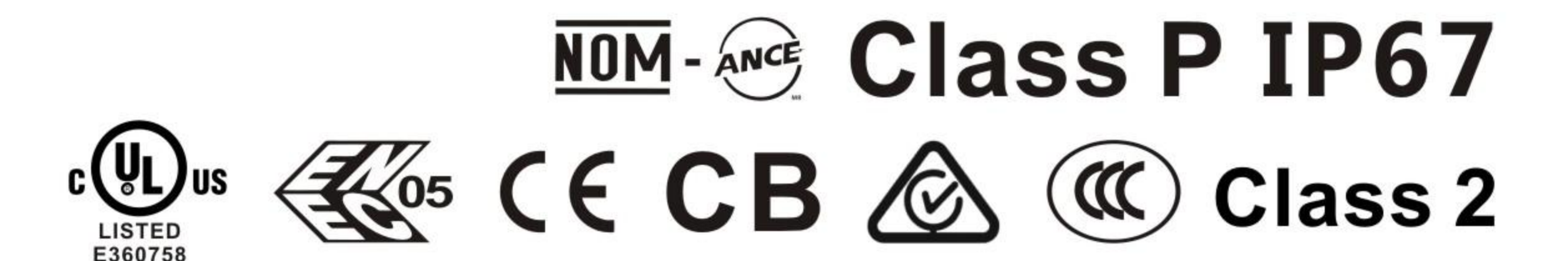


### Power Levels

25W    30W    35W    40W  
50W    60W    75W    100W  
150W    200W    240W

### Applications:

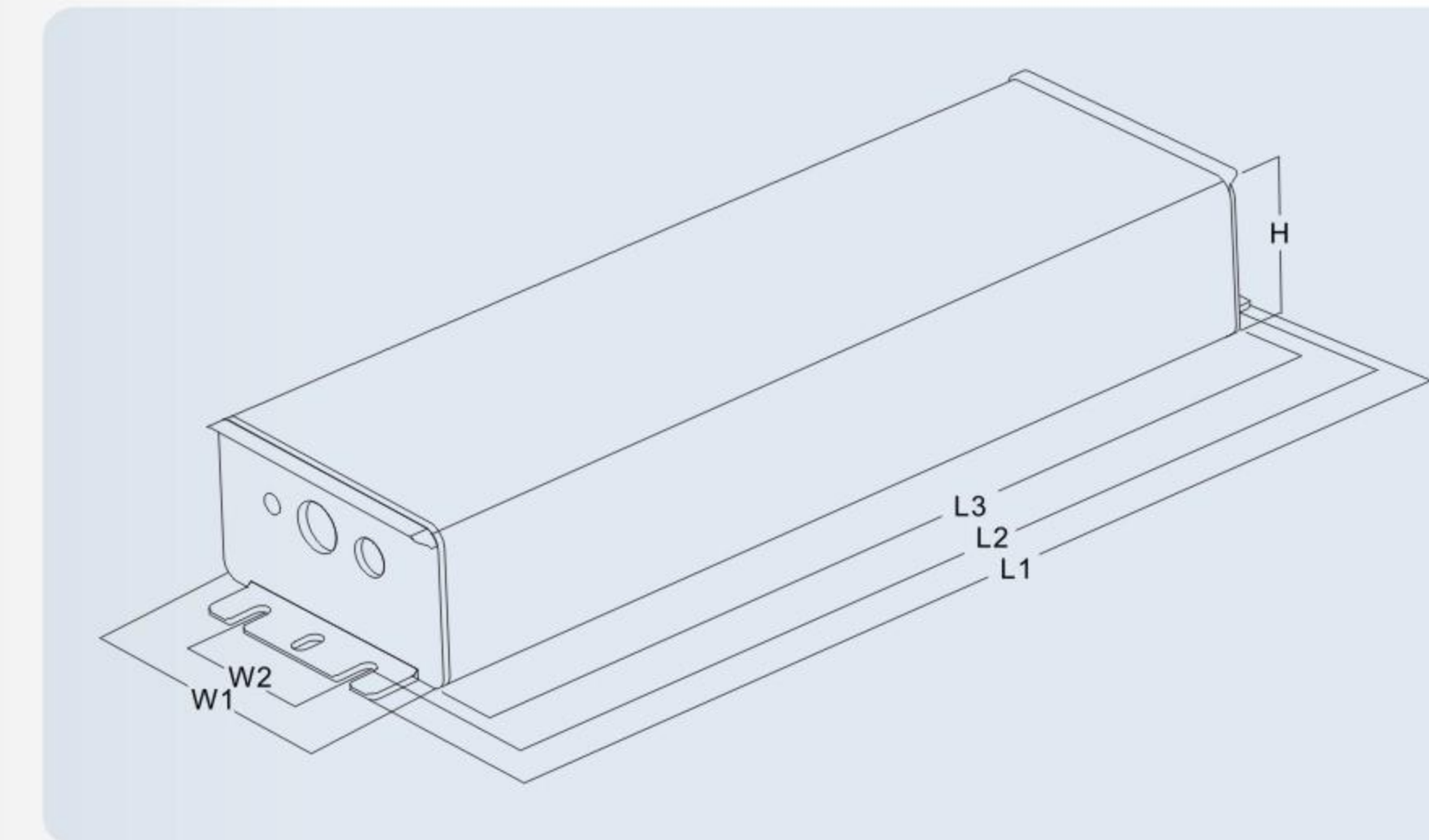
Street light, Tunnel light, Flood light, Gas station light



### Dimension

Units: mm

Model	L1	L2	L3	W1	W2	H
25/35VA-L	120	113.1	107	50	18.2	31
40VA-T/50VA-L	132	125.1	119	50	18.2	31
30/50VA/60VA-T/60VA-L	105	100	92	66	32	31.5
75VA	172	157	147	66	32	35.5
100VA	179	164	154	66	32	35.5
150VA	201	186	176	71	34	39.6
200VA	222	207	197	71	34	39.6
240VA	244	229	219	71	34	39.6



### SPECIFICATION

Model	Output Voltage(V)	Output Current(A)	Output Power(W)	Efficiency	PF	Dimension(mm)
SS-25VA-L50B	28-50	0.4-0.66	25	88.0%	0.97	120*50*31
SS-35VA-L50B	28-50	0.55-0.92	35	89.0%	0.97	120*50*31
SS-50VA-L50B	28-50	0.8-1.32	50	89.0%	0.97	132*50*31
SS-60VA-L50B	28-50	0.96-1.66	60	89.0%	0.97	105*66*31.5
SS-30VA-56B	22-56	0.45-0.95	30	86.0%	0.97	105*66*31.5
SS-40VA-T50B	28-50	0.64-1.1	40	89.0%	0.97	132*50*31
SS-50VA-56B	22-56	0.7-1.55	50	88.0%	0.97	105*66*31.5
SS-60VA-T50B	28-50	0.96-1.66	60	89.0%	0.97	105*66*31.5
SS-75VA-56B	22-56	1.2-2.4	75	88.0%	0.97	172*66*35.5
SS-100VA-40B	22-40	2.3-3.0	96	90.0%	0.98	179*66*35.5
SS-100VA-56B	22-56	1.6-2.3	96	91.0%	0.98	179*66*35.5
SS-150VA-56B	22-56	2.1-4.2	150	93.0%	0.98	201*71*39.6
SS-200VA-56B	22-56	2.8-5.6	200	93.0%	0.98	222*71*39.6
SS-240VA-56B	22-56	3.3-6.7	240	93.0%	0.98	244*71*39.6

Note: B, 3-in-1 Dimming (1-10V, PWM, Resistor) \*T, Timming (Programmable). VA-L, (0-10V, PWM, Resistor).  
Please refer to spec for more details.



- Input voltage: 100-277Vac
- Constant power, flicker free
- Programmable, NTC, CLO, ELA, SSA
- 10kV/6kV surge protection
- 3-in-1 isolated dimming, DALI-2
- Always-on Aux (+12V), Dim-to-off
- Global certified
- Up to 8 years warranty



### Power Levels

50W	75W	100W	150W
200W	240W	320W	400W
500W	600W	650W	720W
730W	1000W		

### Applications:

Street light, High mast, Fishing light, Horticulture light, Stadium light

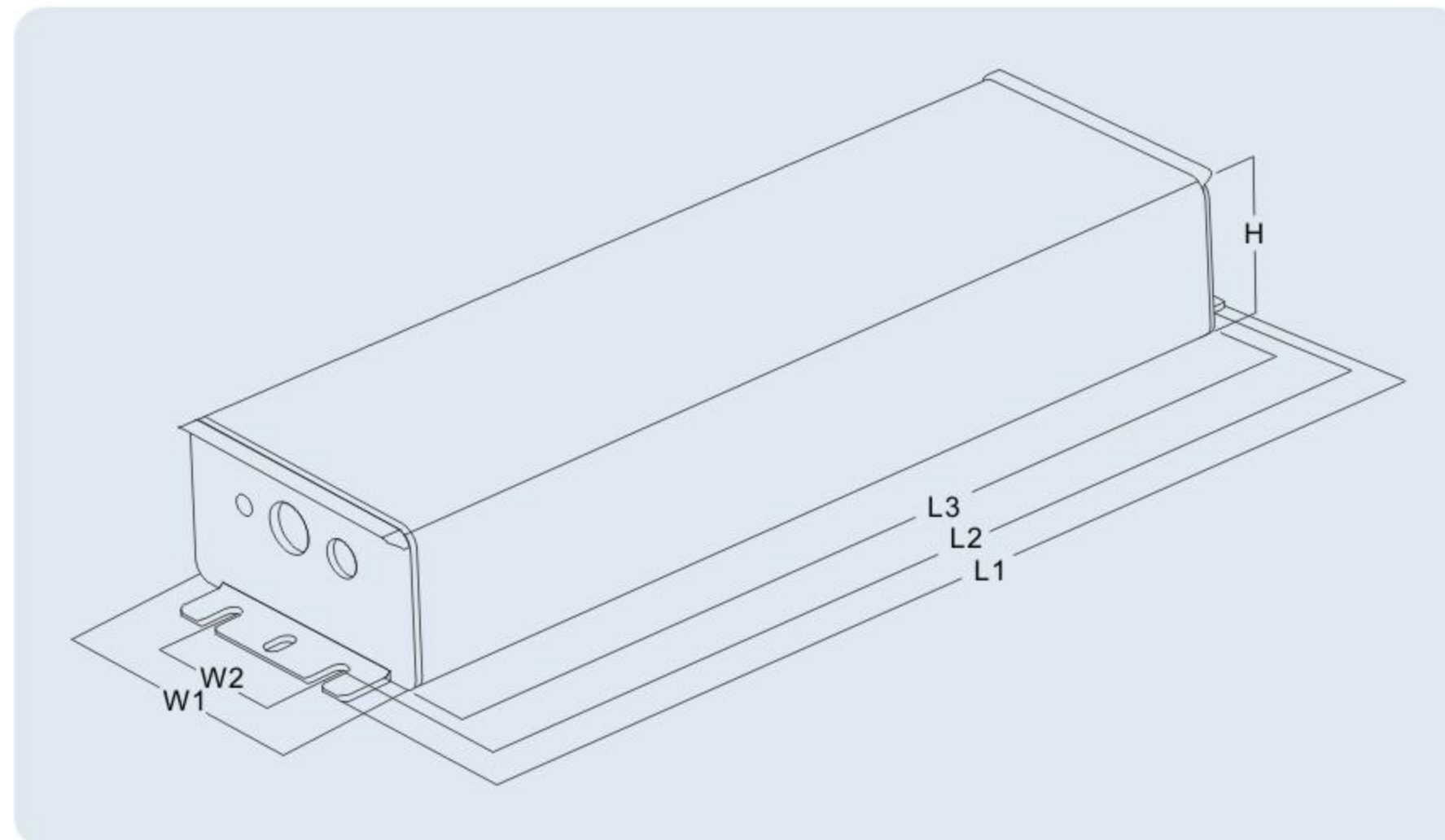


**Class P** DALI2

### Dimension

Units: mm/In

Model	L1	L2	L3	W1	W2	H
50VP	138	129	121	66	32	35.5
	5.43	5.09	4.76	2.60	1.26	1.40
75VP	179	164	154	66	32	35.5
	7.05	6.46	6.06	2.60	1.26	1.40
100VP	193	178	169	66	32	35.5
	7.56	7.00	6.65	2.60	1.26	1.40
150VP	209	196	182	71	34	39.5
	8.23	7.72	7.13	2.80	1.34	1.56
200VP	244	229	219	71	34	39.6
	9.61	9.02	8.62	2.80	1.34	1.56
240VP	254	241	230	71	34	39.6
	10.00	9.49	9.06	2.80	1.34	1.56
320VP	252	238.3	225	89.5	40	44.5
	9.91	9.38	8.86	3.52	1.57	1.75
400VP	260.8	247.3	234	125	78	43.5
	10.27	9.74	9.21	4.92	3.07	1.71
600VP	282	267	261.2	144	97	49.5
	11.10	10.50	10.28	5.67	3.82	1.95
720VP	430	416.5	403.2	89.5	40	44.5
	16.9	163.9	15.87	3.52	1.57	1.75
650VP	440	426.5	413.2	89.5	40	44.5
	17.32	16.79	16.27	3.52	4.57	1.75
1000VP						



### SPECIFICATION

Model	Output Voltage(V)	Output Current(A)	Output Power(W)	Efficiency	PF	Dimension(mm)
SS-50VP-56*	22-56	0.35-1.56	50	86.0%	0.95	138*66*35.5
SS-50VP-72*	28-72	0.35-1.4	50	87.0%	0.95	138*66*35.5
SS-75VP-56*	22-56	0.35-2.4	75	88.0%	0.95	179*66*35.5
SS-75VP-108*	54-108	0.1-1.05	75	90.0%	0.95	179*66*35.5
SS-100VP-56*	22-56	0.35-3.0	96	90.0%	0.95	193*66*35.5
SS-100VP-143*	72-143	0.1-1.05	100	92.0%	0.95	193*66*35.5

### SPECIFICATION

Model	Output Voltage(V)	Output Current(A)	Output Power(W)	Efficiency	PF	Dimension(mm)
SS-150VP-56*	22-56	0.35-4.2	150	92.0%	0.95	209*71*39.6
SS-150VP-143*	72-143	0.35-1.50	150	93.0%	0.95	209*71*39.6
SS-150VP-215*	108-215	0.1-1.05	150	93.0%	0.95	209*71*39.6
SS-200VP-56*	22-56	0.7-5.6	200	92.0%	0.95	244*71*39.6
SS-200VP-190*	95-190	0.35-1.50	200	92.5%	0.95	244*71*39.6
SS-200VP-286*	143-286	0.1-1.05	200	92.5%	0.95	244*71*39.6
SS-240VP-56*	22-56	0.7-6.67	240	92.5%	0.95	254*71*39.6
SS-240VP-228*	114-228	0.35-1.50	240	93.0%	0.95	254*71*39.6
SS-240VP-343*	171-343	0.1-1.05	240	93.5%	0.95	254*71*39.6
SS-320VP-56*	22-56	1.05-8.4	320	94.0%	0.95	252*89.5*44.5
SS-320VP-68	48-68	0.7-6.7	320	93.5%	0.95	252*89.5*44.5
SS-320VP-228*	114-228	0.35-1.75	320	93.5%	0.95	252*89.5*44.5
SS-320VP-428*	214-428	0.1-1.05	320	94.0%	0.95	252*89.5*44.5
SS-400VP-56*	28-56	1.05-8.35	400	94.0%	0.95	252*89.5*44.5
SS-400VP-228	114-228	0.35-2.5	400	95.0%	0.95	252*89.5*44.5
SS-500VP-24*	18-24	2.1-20.0	480	93.5%	0.95	260.8*125*43.5
SS-500VP-56*	22-56	1.4-11.4	500	94.5%	0.95	260.8*125*43.5
SS-500VP-228*	114-228	0.35-2.8	500	94.5%	0.95	260.8*125*43.5
SS-500VP-428*	214-428	0.35-1.4	500	95.0%	0.95	260.8*125*43.5
SS-600VP-24*	16-28	2.5-25	600	91.0%	0.95	282*144*49.5
SS-600VP-42*	20-42	1.7-16.7	600	93.0%	0.95	282*144*49.5
SS-600VP-56*	22-56	1.25-12.5	600	95.0%	0.95	282*144*49.5
SS-600VP-190*	95-190	0.7-4.2	600	95.0%	0.95	282*144*49.5
SS-600VP-286*	143-286	0.35-2.8	600	95.0%	0.95	282*144*49.5
SS-600VP-428*	214-428	0.35-1.75	600	95.0%	0.95	282*144*49.5
SS-650VP-56*	28-56	1.4-13.5	650	95.0%	0.95	430*89.5*44.5
SS-720VP-56*	28-56	1.5-15	720	95.0%	0.95	282*144*49.5
SS-730VP-56*	28-56	1.75-15.2	730	95.0%	0.95	430*89.5*44.5
SS-1000VP-56*	28-56	2.1-20.8	1000	95.0%	0.95	440*89.5*44.5
SS-200VP-H56*	36-56	0.7-4.35	200	92.0%	0.95	209*71*39.6
SS-240VP-H56*	36-56	0.7-5.22	240	92.0%	0.98	244*71*39.6
SS-320VP-H56*	36-56	0.7-6.7	320	93.5%	0.95	254*71*42.7

Note: \* =BH, 3-in-1 dimming and Aux. (0-10V, PWM, Timing) \* =DH, DALI+Aux

\* =BHB, integrated horticulture light LED Driver with knob, Network dimming can be realized through RJ25 network interface

Please refer to spec for more details



- Input voltage: 220-240Vac
- Double-stage, flicker free
- 10kV/6kV surge protection
- 3-in-1 isolated dimming
- Class I or II
- 5 years warranty



### Power Levels

22W      40W      75W  
110W      165W

### Applications:

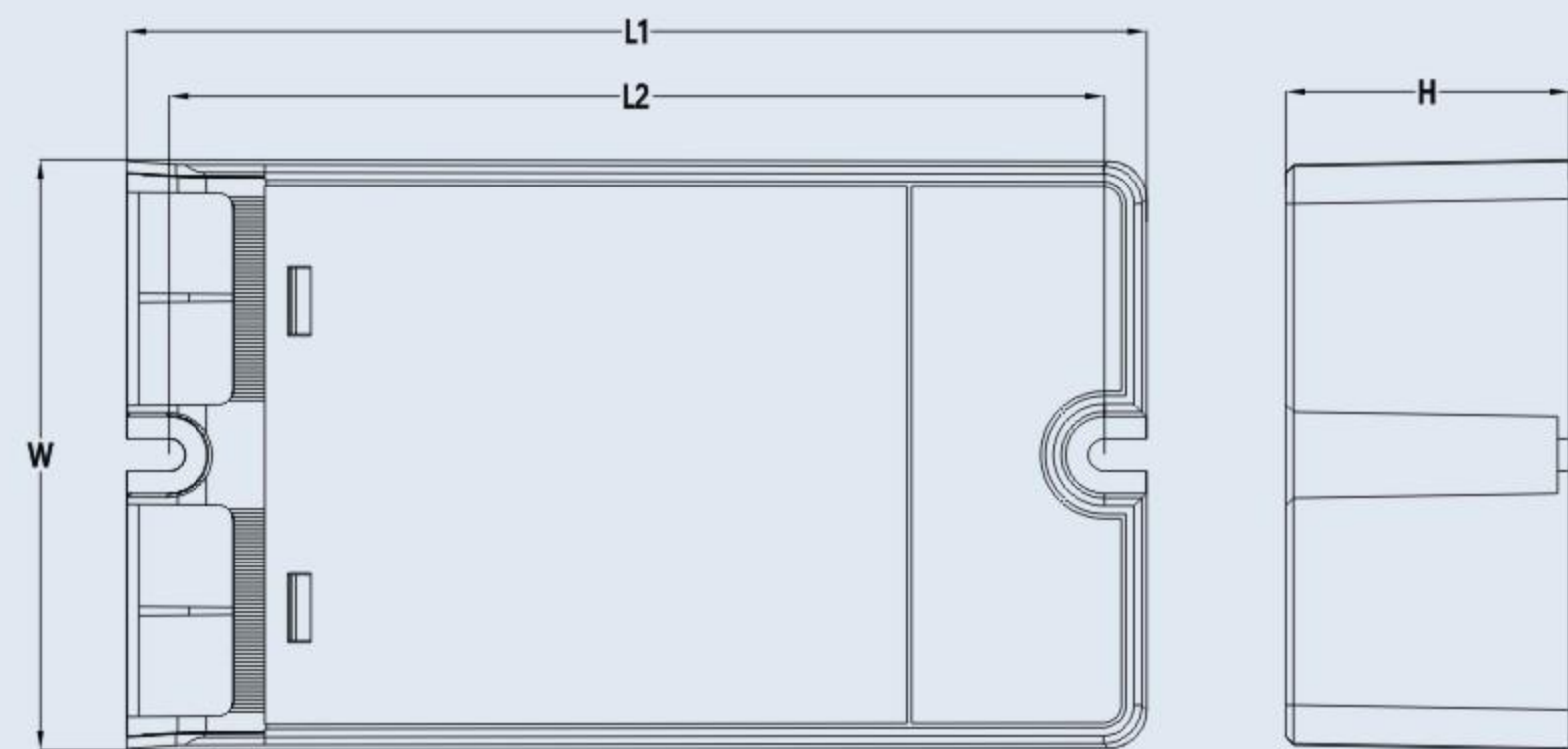
Street light, Tunnel light, Highbay



### Dimension

Units:mm/In

Model	D	4-B	Z	H	W
22PA	123	111	79	67	31
	4.84	4.37	3.11	2.64	1.22
40PA	123	111	79	67	31
	4.84	4.37	3.11	2.64	1.22
75PA	133	122	77	/	37
	5.24	4.80	3.03	/	1.46
110PA	133	122	77	/	37
	5.24	4.80	3.03	/	1.46
165PA	171	160	101	90	35
	6.73	6.30	3.98	3.54	1.38



### SPECIFICATION

Model	Output Voltage(V)	Output Current(A)	Output Power(W)	Efficiency	PF	Dimension(mm)
SS-22PA-32B	12-32	0.35-1.05	22.4	85%	0.98	123*79*31
SS-40PA-54B	20-54	0.35-1.05	40	88%	0.98	123*79*31
SS-75PA-108B	38-108	0.35-1.05	75	91%	0.98	133*77*37
SS-110PA-160B	55-160	0.35-1.05	110	92%	0.98	133*77*37
SS-165PA-235B	90-235	0.35-1.05	165	92%	0.98	171*101*35

Note: B, 3-in-1 dimming, (1-10V, PWM, Timing)  
Please refer to spec for more details

- Input voltage: 120-277Vac
- 6kV/6kV surge protection
- 3-in-1 isolated dimming
- 5 years warranty
- Non-waterproof



### Power Levels

15W      25W      35W  
50W      75W      100W  
150W      200W      240W

### Applications:

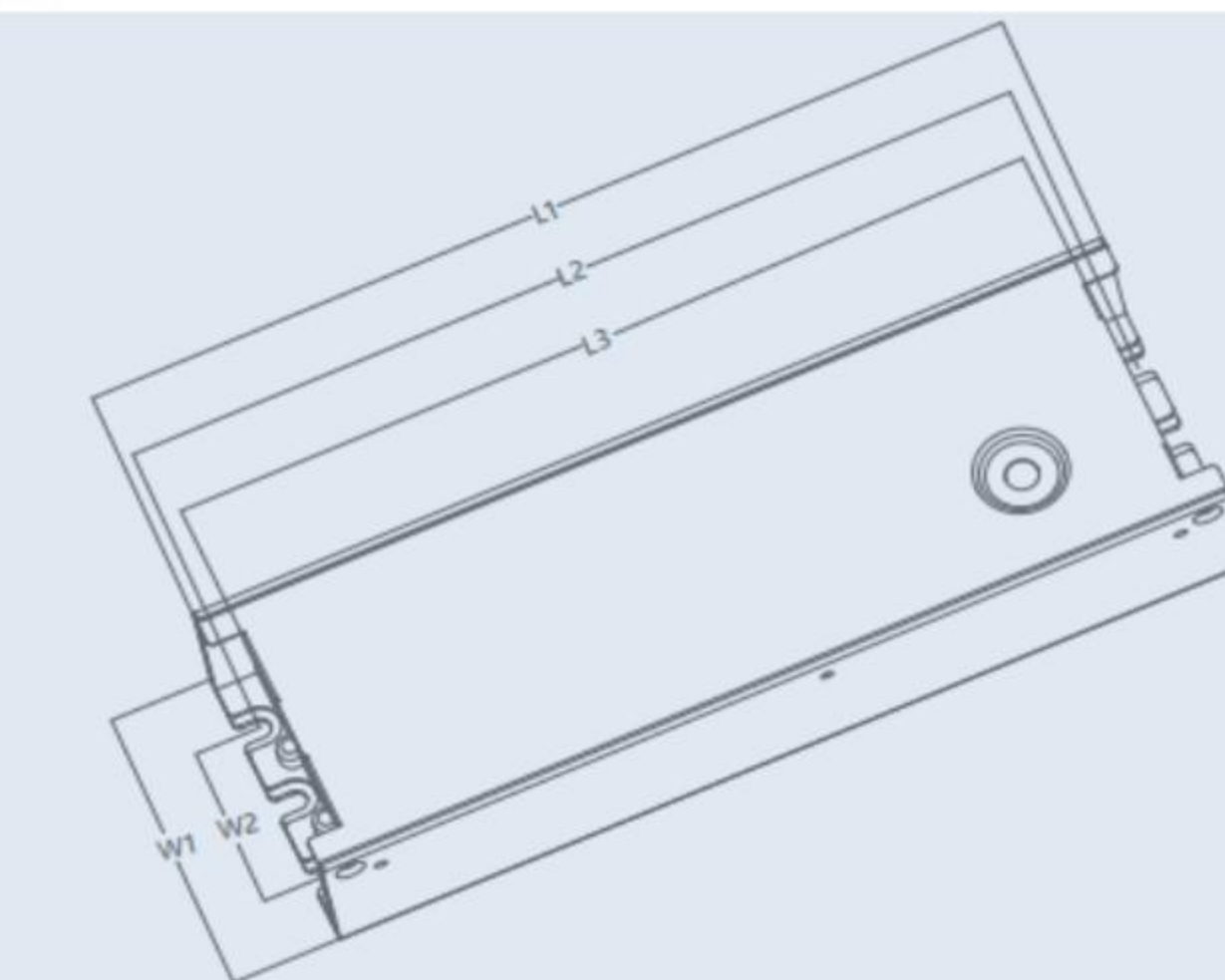
Flood light, Linear highbay, Wall lamp, Panel light



### Dimension

Units: mm/In

Model	L1	L2	L3	W1	W2	H
15/25/35EP	113	107.5	/	44.5	16.2	27.5
	4.56	4.00	/	1.83	0.64	1.24
50EP	124.5	119	/	44.5	16.2	27.5
	4.90	4.69	/	1.75	0.64	1.08
75EP	135	127	122.5	57.5	32	31.5
	5.31	5.00	4.82	2.26	1.26	1.24
100EP	135	127	122.5	57.5	32	31.5
	5.31	5.00	4.82	2.26	1.26	1.24
150EP	164	156	151.2	57.5	32	34
	6.46	6.14	5.95	2.26	1.26	1.34
200EP	183	175	168.5	63.5	32	37
	7.20	6.89	6.63	2.50	1.26	1.46
240EP	196	188	182	64.5	32	37.5
	7.72	7.40	7.17	2.54	1.26	1.48



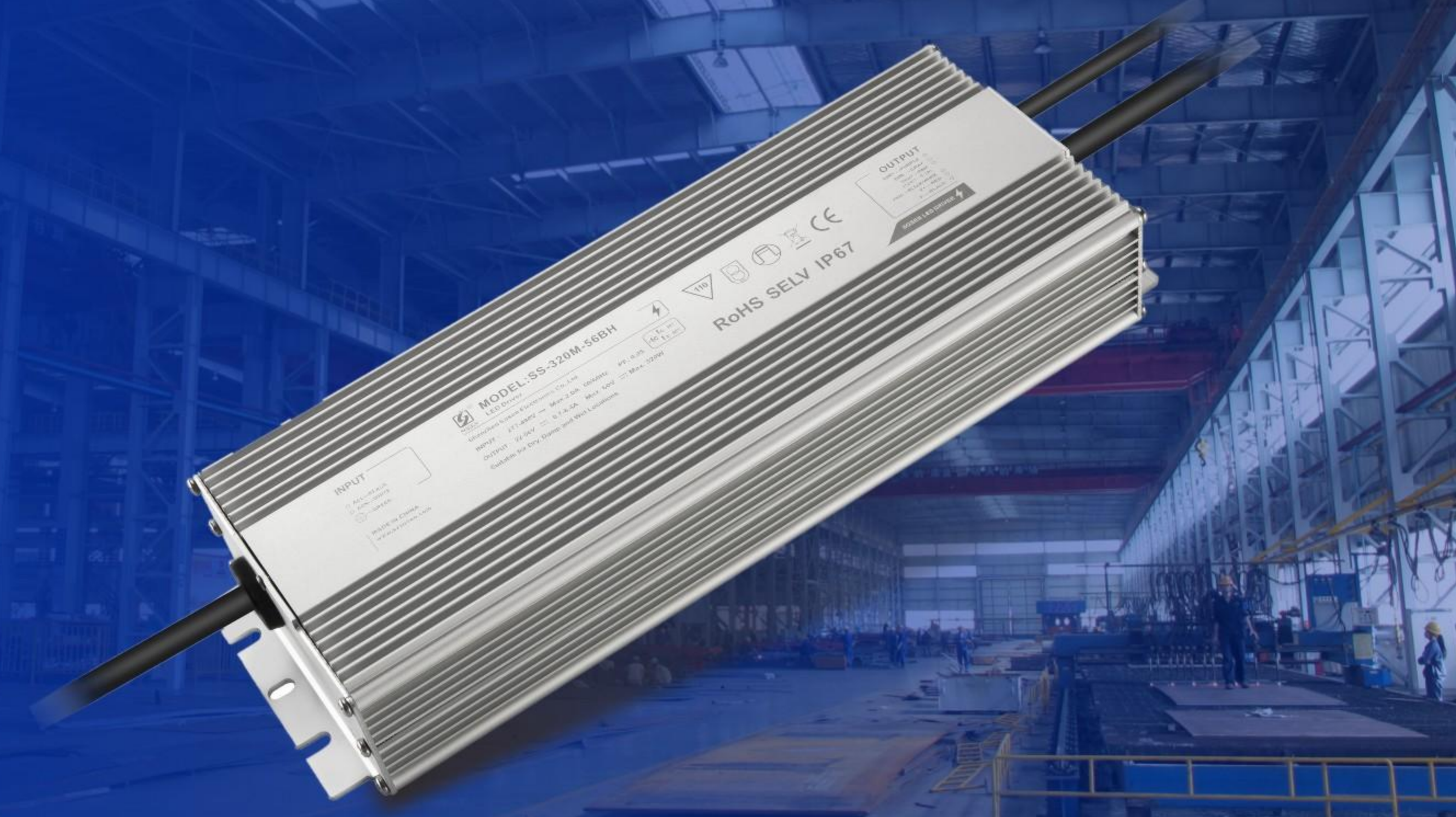
### SPECIFICATION

Model	Output Voltage(V)	Output Current(A)	Output Power(W)	Efficiency	PF	Dimension(mm)
SS-15EP-50B	28-50	0.24-0.39	15	85.0%	0.97	113*44.5*27.5
SS-25EP-50B	28-50	0.4-0.66	25	88.0%	0.97	113*44.5*27.5
SS-35EP-50B	28-50	0.55-0.92	35	89.0%	0.97	113*44.5*27.5
SS-50EP-50B	28-50	0.8-1.32	50	89.0%	0.97	124.5*44.5*27.5
SS-75EP-56B	28-56	1.0-2.1	75	90.5%	0.97	135*57.5*31.5
SS-100EP-56B	28-56	1.3-2.66	96	91.0%	0.97	135*57.5*31.5
SS-150EP-56B	28-56	2.4-4.2	150	92.0%	0.97	164*57.5*34
SS-200EP-56B	28-56	3.6-5.6	200	92.0%	0.97	183*63.5*37
SS-240EP-56B	28-56	3.3-6.66	240	93.0%	0.98	196*64.5*37.5

Note: B, 3-in-1 dimming, (1-10V, PWM, Resistor), 15-50EP: 3-in-1 dimming, (0-10V, PWM, Resistor)  
Please refer to spec for more details



- Input voltage: 277-480Vac
- Constant power, flicker free
- Programmable, CLO, ELA, SSA
- 10kV/6kV surge protection
- 3-in-1 isolated dimming
- Always-on Aux (+12V), Dim-to-off
- 5 years warranty



### Power Levels

100W	150W	240W
320W	600W	680W
800W	880W	

**Applications:**  
High Bay, Horticulture light, Stadium light, Airport light



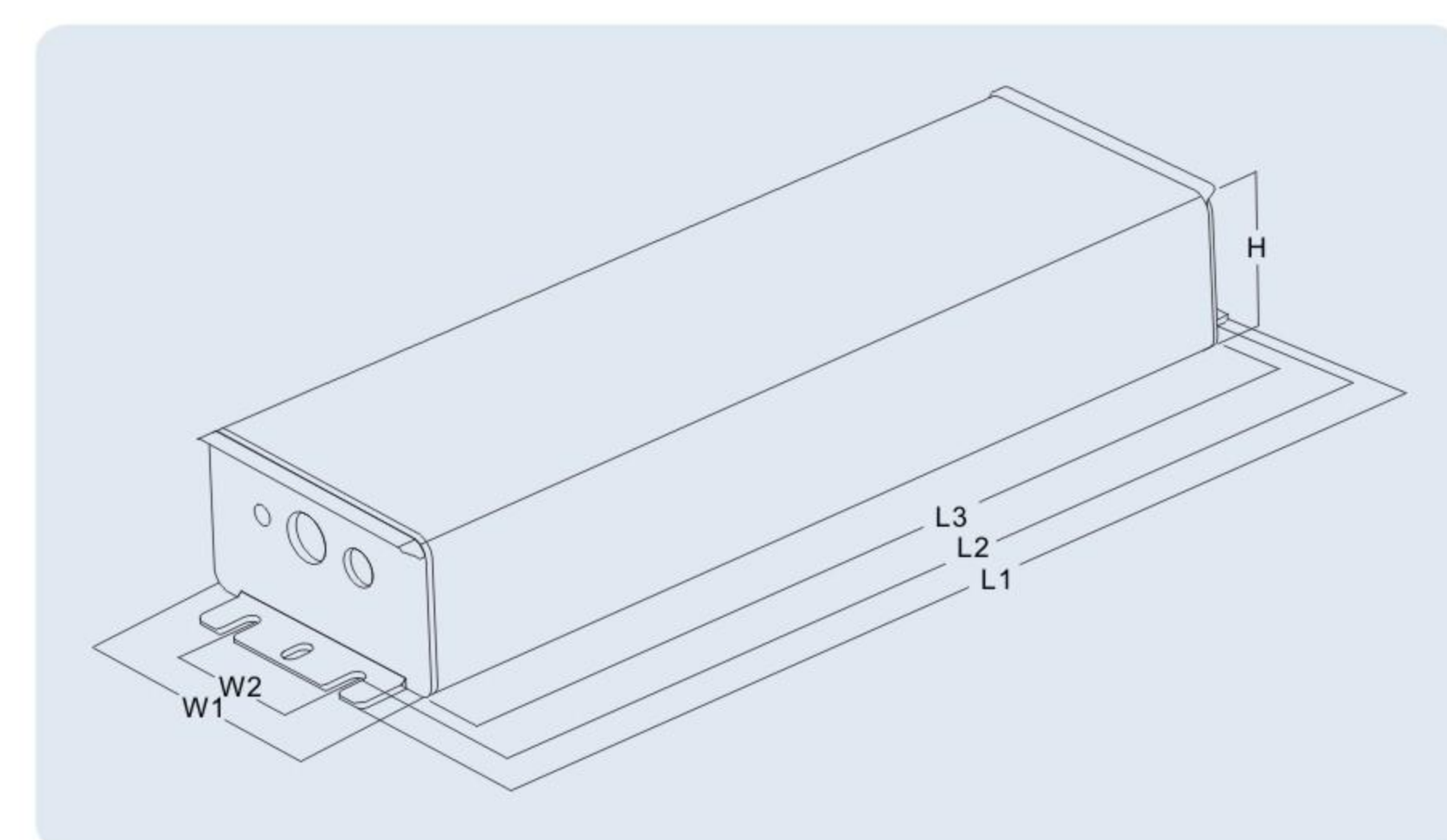
**Class 2**  
(SS-100M-56\* only)

**IP67**  
**Class P**

### Dimension

Units: mm/In

Model	L1	L2	L3	W1	W2	H
100M	221	206	197	71	34	39.6
	8.7	8.11	7.75	2.80	1.34	1.56
150M	221	206	197	71	34	39.6
	8.7	8.11	7.75	2.80	1.34	1.56
240M	254	241	230	71	34	39.6
	10	9.48	9.05	2.80	1.34	1.56
320M	261.8	248.3	235	89.5	40	44.5
	10.31	9.80	9.25	3.44	1.57	1.75
600M	282	267	261.2	144	97	49.5
	11.1	10.05	10.28	5.67	3.82	1.95
680M	430	416.5	403.2	89.5	40	44.5
	16.9	16.39	15.87	3.52	1.57	1.75
800M	282	267	261.2	144	97	49.5
	11.1	10.05	10.28	5.67	3.82	1.95
880M	440	426.5	413.2	89.5	40	44.5
	17.32	16.79	16.27	3.52	1.57	1.75



### SPECIFICATION

Model	Output Voltage(V)	Output Current(A)	Output Power(W)	Efficiency	PF	Dimension(mm)
SS-100M-56BH	22-56	0.35-2.97	96	89.0%	0.95	221*71*39.6
SS-100M-185BH	75-185	0.1-1.05	100	90.0%	0.95	221*71*39.6
SS-150M-56BH	22-56	0.35-4.2	150	90.0%	0.95	221*71*39.6
SS-150M-215BH	85-215	0.1-1.4	150	91.0%	0.95	221*71*39.6
SS-240M-56BH	22-56	0.7-6.7	240	92.0%	0.95	254*71*39.6
SS-240M-228BH	114-218	0.35-1.75	240	93.0%	0.95	254*71*39.6
SS-240M-343BH	171-343	0.1-1.05	240	93.0%	0.95	254*71*39.6
SS-320M-56BH	32-56	0.7-8.4	320	92.0%	0.95	261.8*89.5*44.5
SS-320M-228BH	114-228	0.35-1.75	320	93.0%	0.95	261.8*89.5*44.5
SS-320M-428BH	214-428	0.1-1.05	320	93.0%	0.95	261.8*89.5*44.5
SS-600M-56BH	22-56	1.25-12.5	600	95.5%	0.98	288*144*49.5
SS-600M-190BH	95-190	0.7-4.2	600	95.5%	0.98	288*144*49.5
SS-600M-286BH	143-286	0.35-2.8	600	95.5%	0.98	288*144*49.5
SS-600M-428BH	214-428	0.35-1.75	600	95.5%	0.98	288*144*49.5
SS-680M-56BH	36-56	1.4-14.2	680	95.0%	0.98	430*89.5*44.5
SS-800M-56BH	28-56	1.67-16.7	800	96.0%	0.95	288*144*49.5
SS-800M-190BH	95-190	0.7-5.26	800	95.5%	0.95	288*144*49.5
SS-800M-286BH	143-286	0.35-3.72	800	96.0%	0.95	288*144*49.5
SS-800M-380BH	190-380	0.35-2.6	800	96.0%	0.95	288*144*49.5
SS-880M-56BH	28-56	1.8-18.3	880	96.5%	0.98	440*89.5*44.5

Note: BH, 3-in-1 dimming and Aux (0-10V, PWM, Resistor)  
Please refer to spec for more details



- Input voltage: 120-277Vac
- Double-stage, flicker free
- 6kV/6kV surge protection
- 3-in-1 isolated dimming
- 5 years warranty

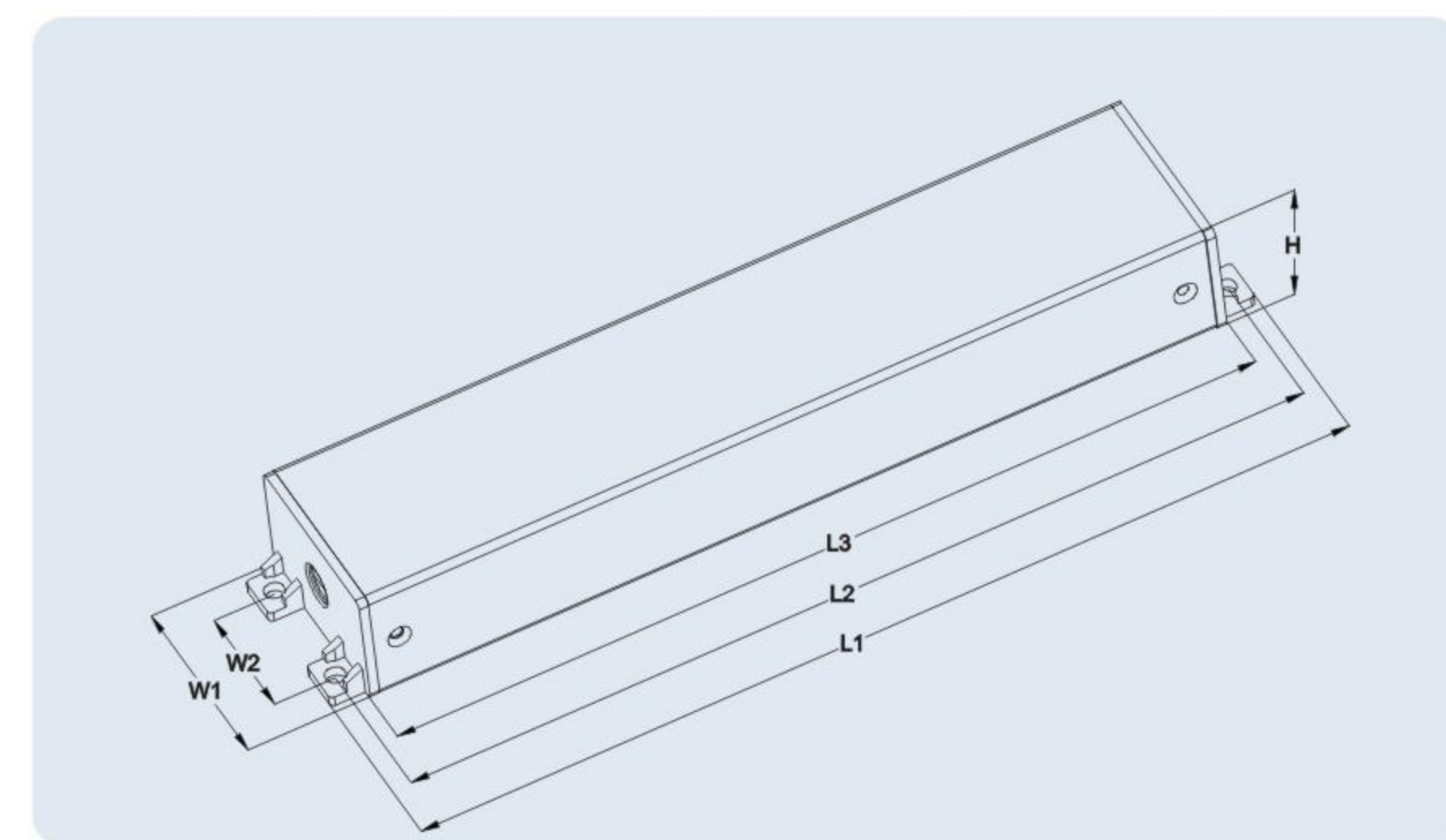


### Power Levels

75W 100W

### Applications:

Horticulture light, Flood light, Linear highbay, Wall lamp



### Dimension

Units: mm/In

Model	L1	L2	L3	W1	W2	H
75LV	215	207.2	199.2	43.9	28	29
	8.46	8.16	7.84	1.73	1.10	1.14
100LV	215	207.2	199.2	43.9	28	29
	8.46	8.16	7.84	1.73	1.10	1.14

### SPECIFICATION

Model	Output Voltage(V)	Output Current(A)	Output Power(W)	Efficiency	PF	Dimension(mm)
SS-75LV-42B	28-42	1.05-2.1	75.6	89%	0.98	215.2*43.9*29
SS-75LV-54B	38-54	0.8-1.6	75.6	90%	0.98	215.2*43.9*29
SS-100LV-42B	28-42	1.34-2.67	96.6	89%	0.98	215.2*43.9*29
SS-100LV-54B	38-54	1.0-2.0	96.6	90%	0.98	215.2*43.9*29

Note: B, 3-in-1 dimming, (0-10V, PWM, Resistor)  
Please refer to spec for more details

- Input voltage: 120-277Vac
- 6kV/4kV surge protection
- 3-in-1 isolated dimming
- 5 years warranty

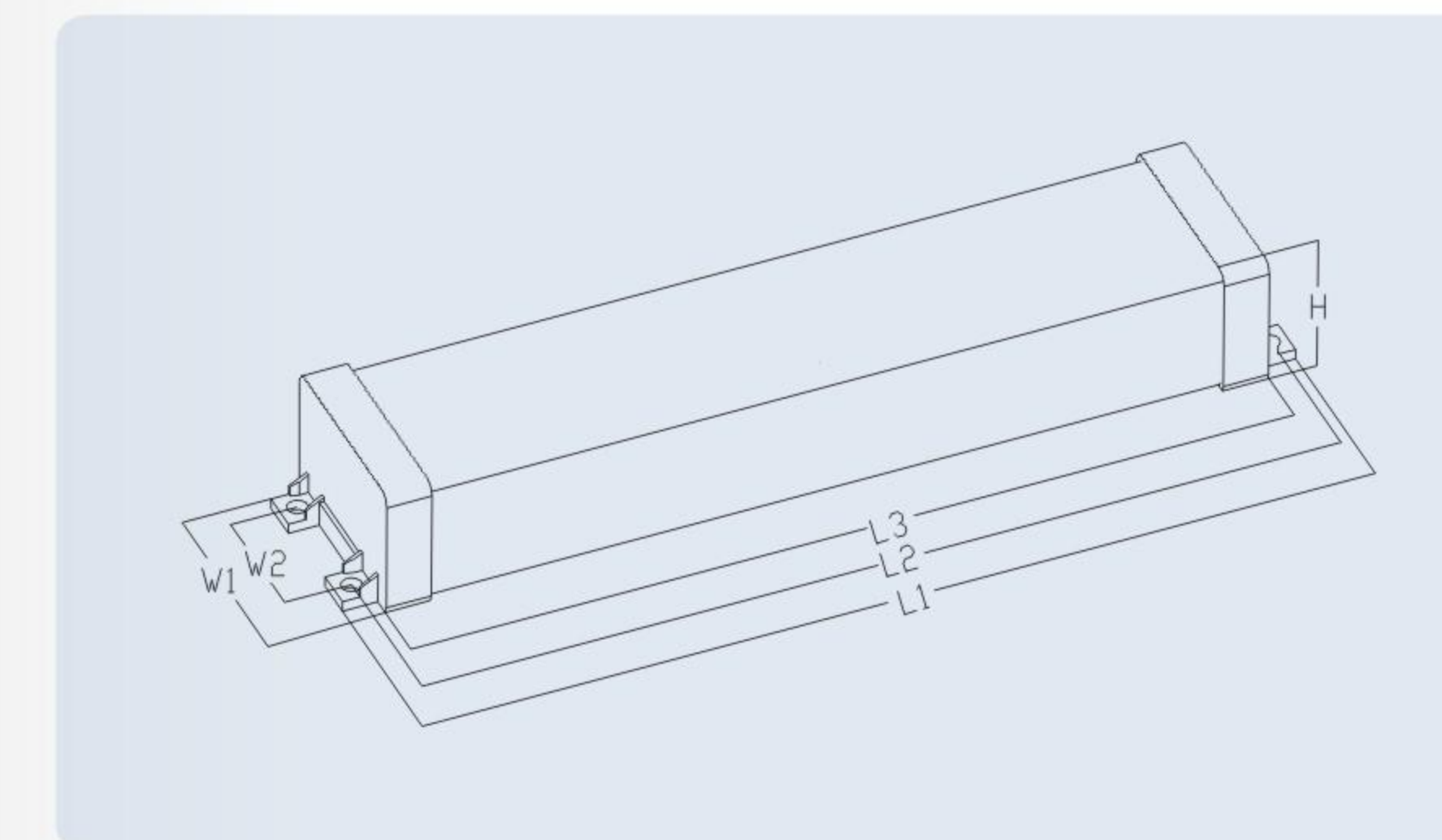


### Power Levels

36W 60W 75W 100W

### Applications:

Highbay, Wall lamp, Linear light, Horticulture light



### Dimension

Units: mm/In

Model	L1	L2	L3	W1	W2	H
36L	131	117	103	45	32	30.5
	5.16	4.61	4.06	1.77	1.26	1.20
60L	110	99.5	91	69.5	60	36.2
	4.33	3.92	3.58	2.74	2.36	1.40
75L/100L	215.2	207.2	199.2	45.5	28	31
	8.47	8.15	7.84	1.77	1.1	1.22

### SPECIFICATION

Model	Output Voltage(V)	Output Current(A)	Output Power(W)	Efficiency	PF	Dimension(mm)
SS-36L-42*	24-42	0.86/1.05	36	88%	0.95	131*45*30.5
SS-36L-54*	36-54	0.65/0.75	36	88%	0.95	131*45*30.5
SS-60L-42*	24-42	1.45/1.65	60	88%	0.95	110*69.5*36.2
SS-60L-54*	36-54	0.86/1.05/1.25	60	88%	0.95	110*69.5*36.2
SS-75L-36*	28-36	1.4-2.1	75.6	88%	0.98	215.2*45.5*31
SS-75L-42*	30-42	1.2-1.8	75.6	88%	0.98	215.2*45.5*31
SS-75L-48*	38-48	1.0-1.57	75.3	89%	0.98	215.2*45.5*31
SS-75L-54*	40-54	0.9-1.4	75.6	89%	0.98	215.2*45.5*31
SS-100L-36*	28-36	1.8-2.67	96.1	89%	0.98	215.2*45.5*31
SS-100L-42*	30-42	1.6-2.3	96.6	89%	0.98	215.2*45.5*31
SS-100L-48*	38-48	1.4-2.0	96.0	90%	0.98	215.2*45.5*31
SS-100L-54*	40-54	1.2-1.78	96.1	90%	0.98	215.2*45.5*31

Note: \*=B, 3-in-1 dimming, (1-10V, PWM, Resistor)  
Please refer to spec for more details



# NL/NH series

Constant Current

- Input voltage: NL/NH: 120-277Vac  
NH-M: 120-347Vac
- Non-isolated, flicker free
- 6kV/6kV surge protection
- 3-in-1 Always-on dimming
- Always-on Aux (+12V), Dim-to-off (for NH/NH-M)
- 5 years warranty



## Power Levels

120W    150W  
200W    240W

## Applications:

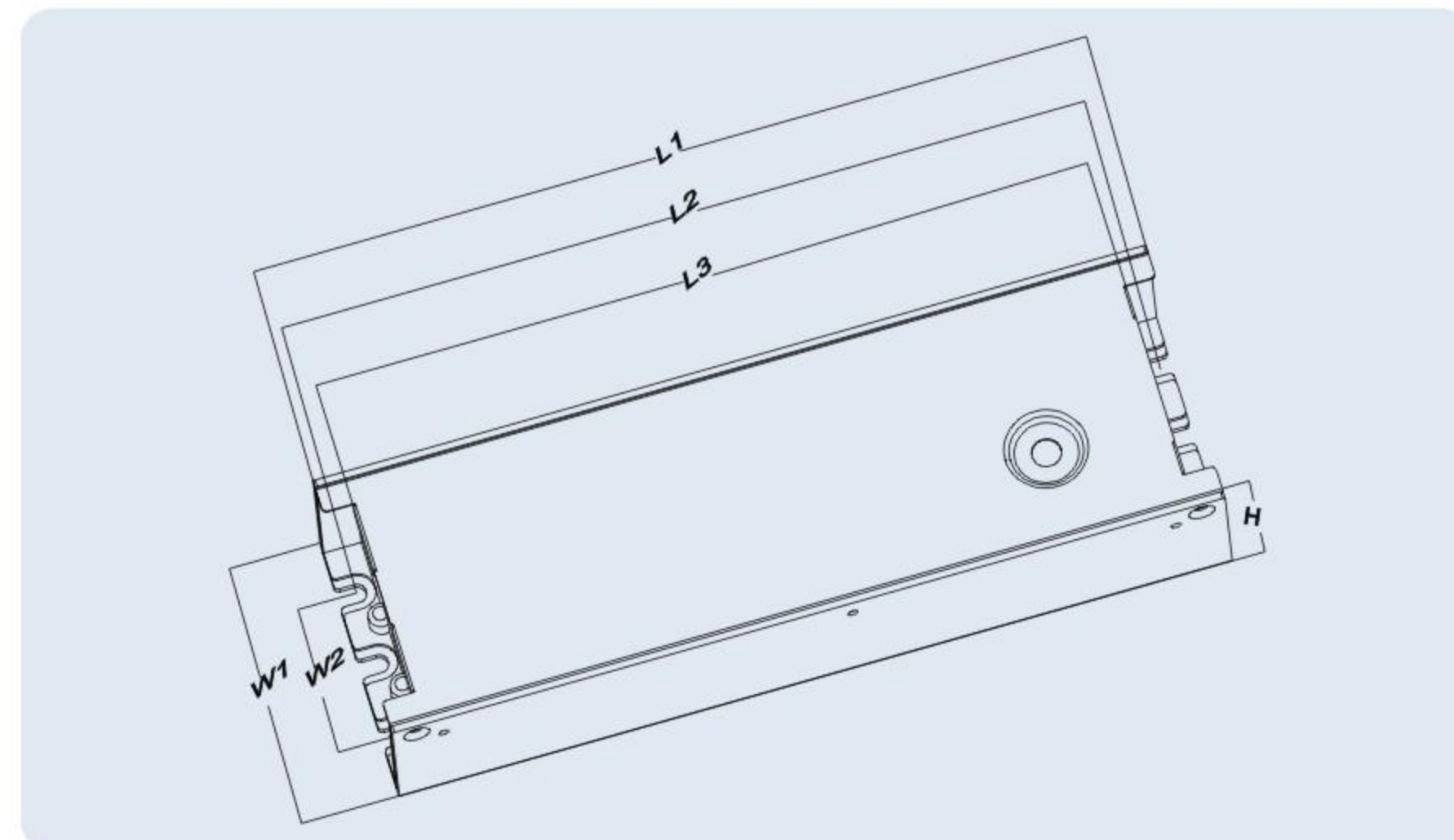
Flood light, Linear highbay, Wall lamp



## Dimension

Units: mm/in

Model	L1	L2	L3	W1	W2	H
120NL	153	145	140.5	57.5	32	31.5
	6.02	5.71	5.53	2.26	1.26	1.24
150/200NL	161	152.9	148.5	57.5	32	34
	6.34	6.02	5.85	2.26	1.26	1.34
120/150/200NH	174	166	161.5	57.5	32	34
	6.85	6.54	6.36	2.26	1.26	1.34
120/150/200NH-M 240NL/NH	183	175	168.5	63.5	32	36.5
	7.20	6.89	6.63	2.50	1.26	1.44
240NH-M	196	188	/	64.5	32	37.5
	7.72	7.4	/	2.54	1.26	1.48



## SPECIFICATION

Model	Output Voltage(V)	Output Current(A)	Output Power(W)	Efficiency	PF	Dimension(mm)
SS-120NL-130B	90-130	0.7-1.0	120	93.0%	0.97	153*57.5*31.5
SS-150NL-260B	180-260	0.52-0.75	150	95.0%	0.97	161*57.5*34
SS-200NL-260B	180-260	0.7-1.0	200	95.0%	0.97	161*57.5*34
SS-240NL-260B	180-260	0.84-1.2	240	95.0%	0.97	183*63.5*36.5
SS-120NH-130BH	90-130	0.7-1.0	120	93.0%	0.97	174*57.5*34
SS-150NH-260BH	180-260	0.52-0.75	150	95.0%	0.97	174*57.5*34
SS-200NH-260BH	180-260	0.7-1.0	200	95.0%	0.97	174*57.5*34
SS-240NH-260BH	180-260	0.84-1.2	240	95.0%	0.97	183*63.5*37
SS-120NH-M130BH	90-130	0.7-1.0	120	93.0%	0.97	183*63.5*37
SS-150NH-M260BH	180-260	0.52-0.75	150	94.0%	0.97	183*63.5*37
SS-200NH-M260BH	180-260	0.7-1.0	200	95.0%	0.98	183*63.5*37
SS-240NH-M260BH	180-260	0.84-1.2	240	95.0%	0.98	196*64.5*37.5

Note: B, 3-in-1 dimming, (1-10V, PWM, Resistor), BH, 3-in-1 dimming and Aux (0-10V, PWM, Resistor)

Please refer to spec for more details

# CNL-E series

Constant Current

- Input voltage: 120-277Vac
- Non-isolated, flicker free
- Efficiency up to 96%
- 6kV/6kV surge protection
- 3-in-1 isolated dimming, Dim-to-off
- Always-on Aux (+12V)
- 5 years warranty

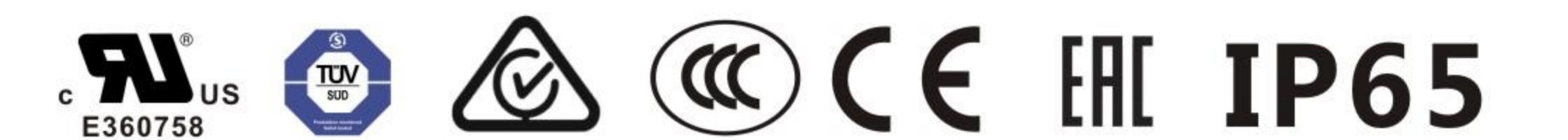


## Power Levels

120W    150W    200W  
240W

## Applications:

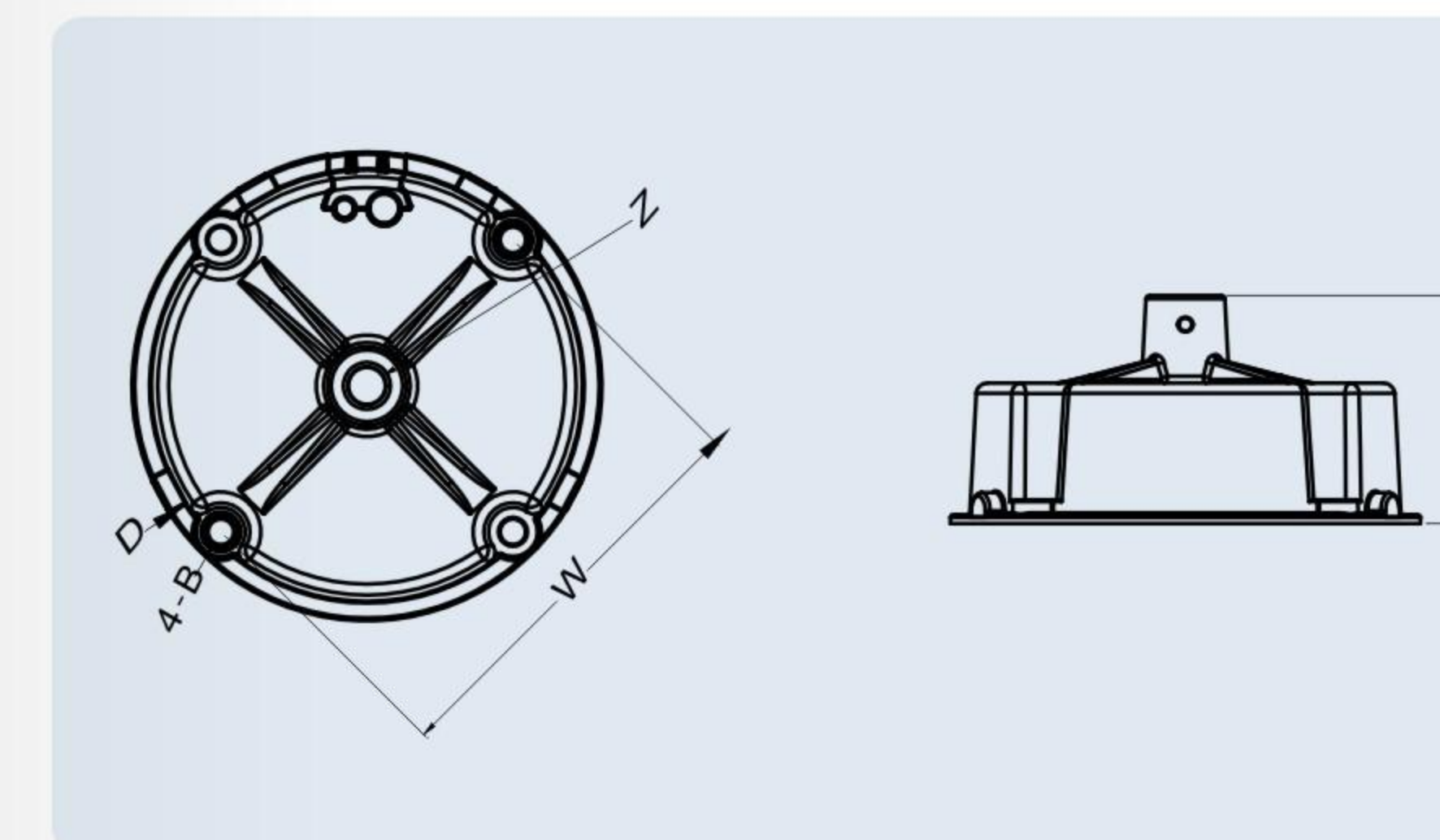
High Bay, Ceiling lamp, Stagelight



## Dimension

Units: mm/in

Model	D	4-B	Z	H	W
120CNL-E	128	7	10	62.5	113
	5.04	0.28	0.39	2.46	4.45
150CNL-E	128	7	10	62.5	113
	5.04	0.28	0.39	2.46	4.45
200CNL-E	128	7	10	62.5	113
	5.04	0.28	0.39	2.46	4.45
240CNL-E	128	7	10	62.5	113
	5.04	0.28	0.39	2.46	4.45



## SPECIFICATION

Model	Output Voltage(V)	Output Current(A)	Output Power(W)	Efficiency	PF	Dimension(mm)
SS-120CNL-E260*	180-260	0.4-0.6	120	94.5%	0.97	φ128*62.5
SS-150CNL-E260*	180-260	0.52-0.75	150	95.0%	0.97	φ128*62.5
SS-200CNL-E260*	180-260	0.7-1.0	200	96.0%	0.97	φ128*62.5
SS-240CNL-E260*	180-260	0.84-1.2	240	96.0%	0.97	φ128*62.5

Note: \*=BH, 3-in-1 dimming and Aux and dim-to-off (0-10V, PWM, Resistor). \*=B, 3-in-1 dimming, (1-10V, PWM, Resistor)

Please refer to spec for more details



- Input voltage: 100-277Vac
- Constant power, flicker free
- 6kV/6kV surge protection
- 3-in-1 isolated dimming, DALI-2
- Always-on Aux (+12V), Dim-to-off
- 5 years warranty

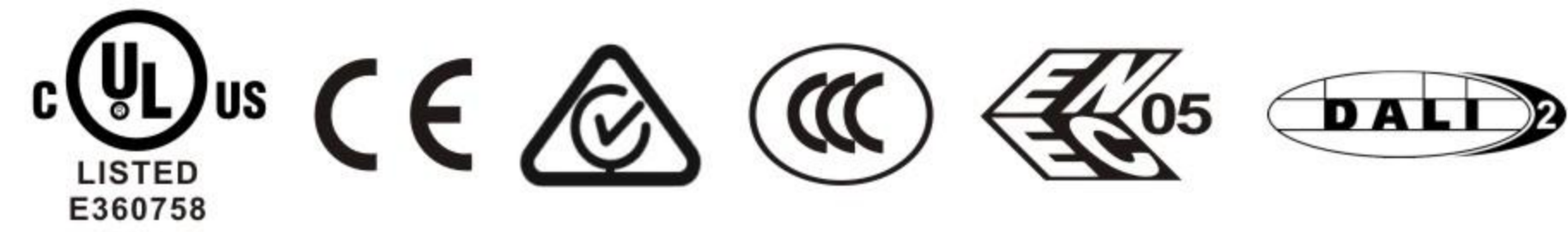


### Power Levels

100W	150W	200W
240W	300W	480W

**Applications:**  
High Bay, Ceiling lamp, Stagelight

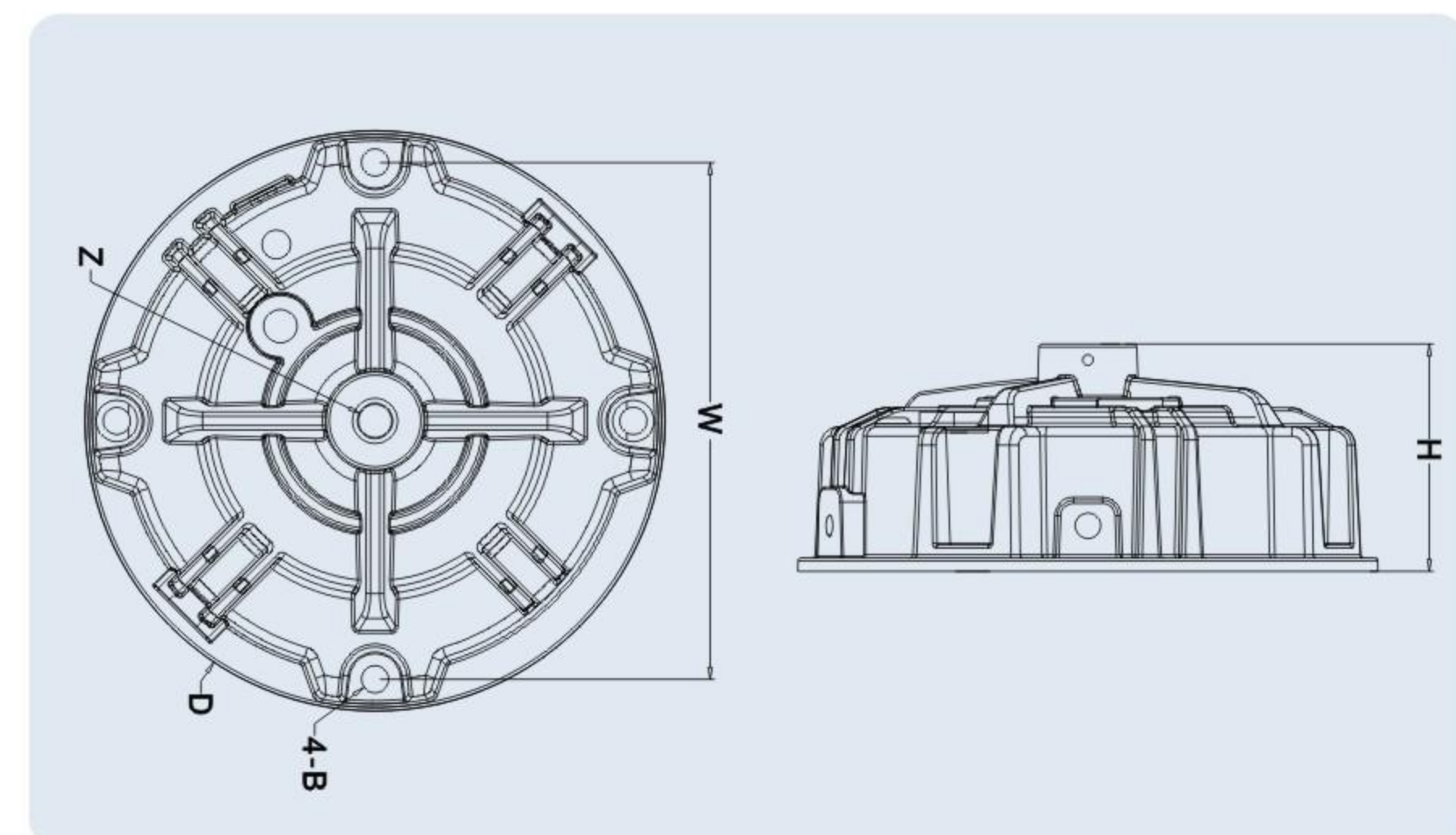
## Class P IP65



### Dimension

Units: mm/In

Model	D	4-B	Z	H	W
100CA	132	7	10	71.5	113
	5.2	0.28	0.39	2.81	4.45
150CA	151	7	12	71.5	132
	5.91	0.28	0.47	2.8	5.2
200CA	151	7	12	71.5	132
	5.91	0.28	0.47	2.8	5.2
240CA	182	8.5	12	71.5	162
	7.17	0.33	0.47	2.81	6.38
300CA	182	8.5	12	71.5	162
	7.17	0.33	0.47	2.81	6.38
480CA	208	8.5	20	69.5	192
	8.19	0.33	0.789	2.74	7.96



### SPECIFICATION

Model	Output Voltage(V)	Output Current(A)	Output Power(W)	Efficiency	PF	Dimension(mm)
SS-100CA-56*	28-56	1.5-3.0	100.8	90.0%	0.98	φ132*71.5
SS-150CA-56*	28-56	2.1-4.2	151.2	92.0%	0.97	φ151*71.5
SS-200CA-56*	28-56	2.8-5.6	201.6	92.0%	0.97	φ151*71.5
SS-240CA-56*	28-56	3.3-6.7	241.2	93.0%	0.98	φ182*71.5
SS-300CA-56*	28-56	4.2-8.4	302.4	94.0%	0.98	φ182*71.5
SS-480CA-228*	114-228	2.1-2.8	480	94.0%	0.98	φ208*69.5

Note: \*=BH, 3-in-1 dimming and Aux. (0-10V, PWM, Resistor) \*=DH, DALI+Aux  
Please refer to spec for more details

- Input voltage: 120-277Vac
- Constant power, flicker free
- 4kV/4kV surge protection
- 3-in-1 isolated dimming
- 5 years warranty



### Power Levels

100W	150W
200W	240W

**Applications:**  
High Bay, Ceiling lamp, Stagelight

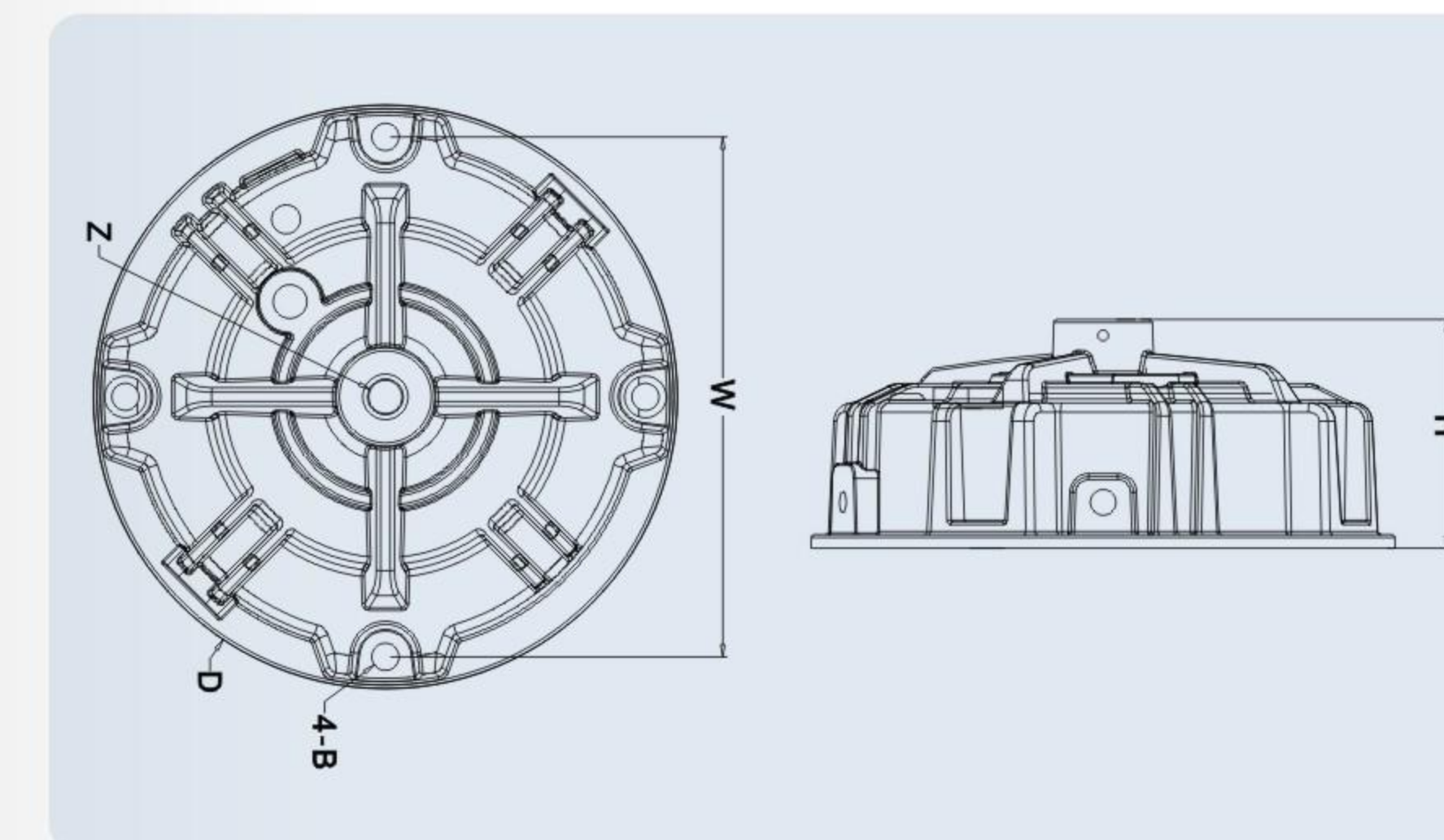
## NOM-ANCE IP65



### Dimension

Units: mm/In

Model	D	4-B	Z	H	W
100CP	132	7	10	71.5	113
	5.20	0.28	0.39	2.81	4.45
150CP	151	7	12	71.5	132
	5.91	0.28	0.47	2.81	5.20
200CP	151	7	12	71.5	132
	5.91	0.28	0.47	2.80	5.20
240CP	182	8.5	12	71.5	162
	7.17	0.33	0.47	2.81	6.38



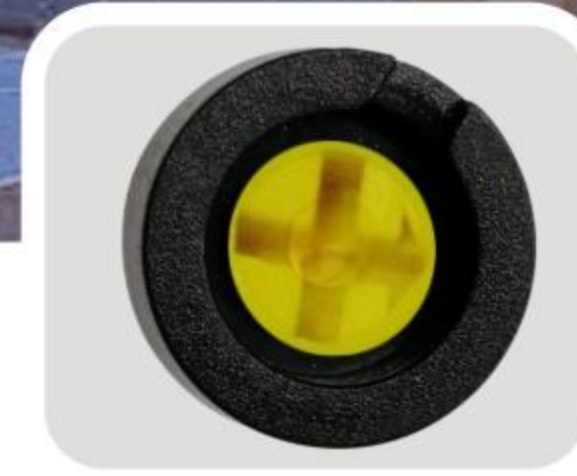
### SPECIFICATION

Model	Output Voltage(V)	Output Current(A)	Output Power(W)	Efficiency	PF	Dimension(mm)
SS-100CP-54*	28-54	1.5-3.0	100	90.0%	0.97	φ132*71.5
SS-150CP-54*	28-54	2.1-4.2	150	93.0%	0.97	φ151*71.5
SS-200CP-54*	28-54	2.8-5.6	200	93.0%	0.97	φ151*71.5
SS-240CP-54*	28-54	3.3-6.7	240	93.0%	0.98	φ182*71.5

Note: \*=B, 3-in-1 dimming, (1-10V, PWM, Resistor)  
Please refer to spec for more details



- Input voltage: 100-277Vac
- Non-isolated, flicker free
- Efficiency up to 95%
- 6kV/6kV surge protection
- 3-in-1 isolated dimming
- Always-on Aux (+12V)
- 5 years warranty



### Power Levels

60W      120W      150W  
200W      240W

### Applications:

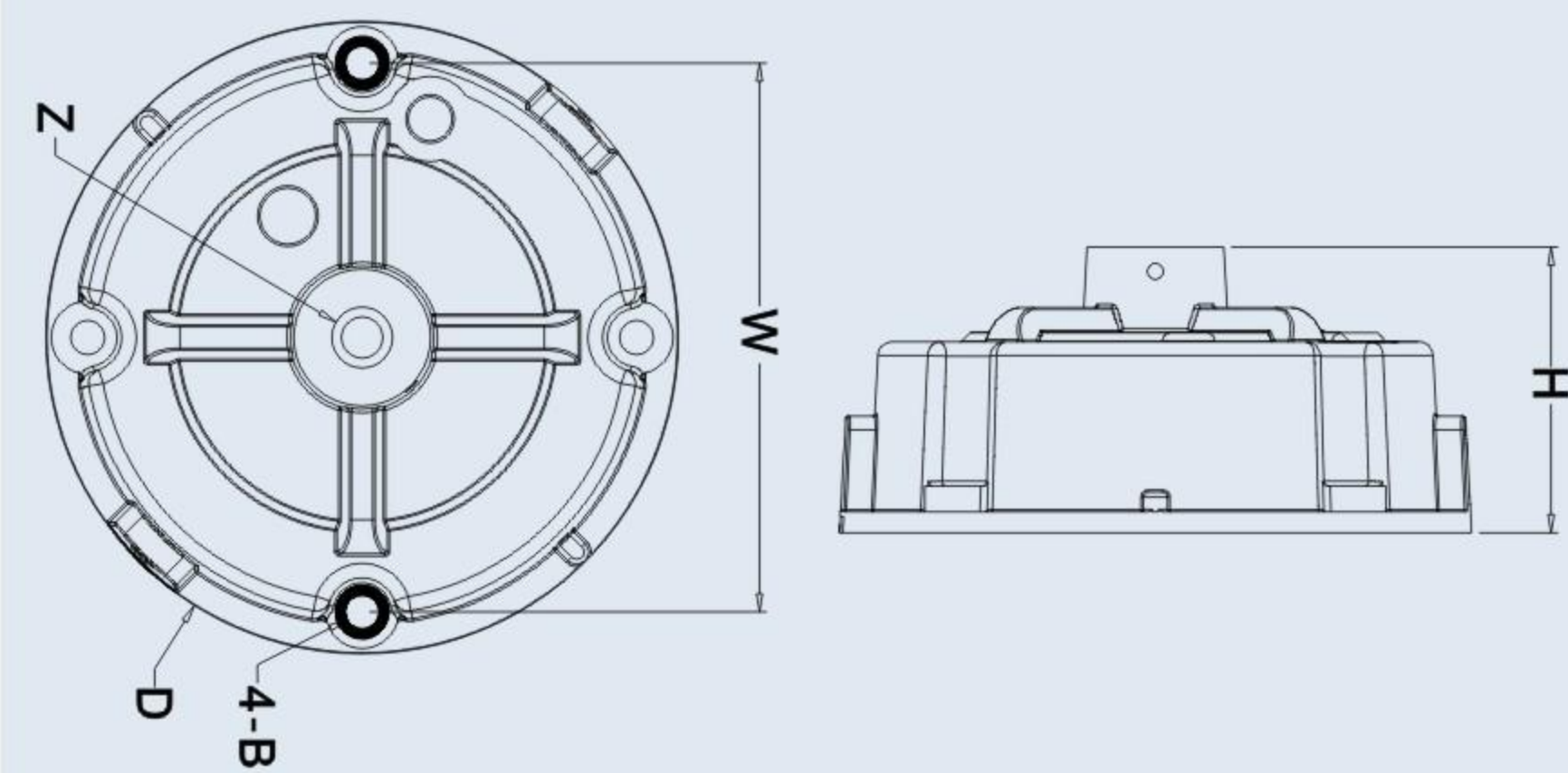
High Bay, Ceiling lamp, Stagelight



### Dimension

Units:mm/In

Model	D	4-B	Z	H	W
60CNL	130.2	7	10	61.8	113
	5.12	0.28	0.39	2.43	4.44
120CNL	130.5	7	10	61.8	113
	5.14	0.28	0.39	2.43	4.44
150CNL	130.5	7	10	61.8	113
	5.14	0.28	0.39	2.43	4.44
200CNL	130.5	7	10	61.8	113
	5.14	0.28	0.39	2.43	4.44
240CNL	146	7	12	61.8	132
	5.75	0.28	0.47	2.43	5.20



### SPECIFICATION

Model	Output Voltage(V)	Output Current(A)	Output Power(W)	Efficiency	PF	Dimension(mm)
SS-60CNL-130*	90-130	0.26-0.5	60	93.0%	0.96	φ130.2*61.8
SS-120CNL-130*	90-130	0.7-1.0	120	93.0%	0.96	φ130.5*61.8
SS-150CNL-260*	180-260	0.52-0.75	150	95.0%	0.97	φ130.5*61.8
SS-200CNL-260*	180-260	0.7-1.0	200	95.0%	0.97	φ130.5*61.8
SS-240CNL-260*	180-260	0.84-1.2	240	95.0%	0.97	φ146*61.8

Note: \*=BH, 3-in-1 dimming and Aux (0-10V, PWM, Resistor). \*=B, 3-in-1 dimming, (1-10V, PWM, Resistor)

\*=BHB, 3-in-1 dimming and Aux and DIP switch. \*=BHC, 3-in-1 dimming and Aux and dim to off without afterglow

Please refer to spec for more details

- Input voltage: 277-480Vac
- Double-stage, flicker free
- 4kV/4kV surge protection
- 3-in-1 isolated dimming, Dim- to- off
- Always-on Aux (+12V)
- 5 years warranty



### Power Levels

100W      150W      240W

### Applications:

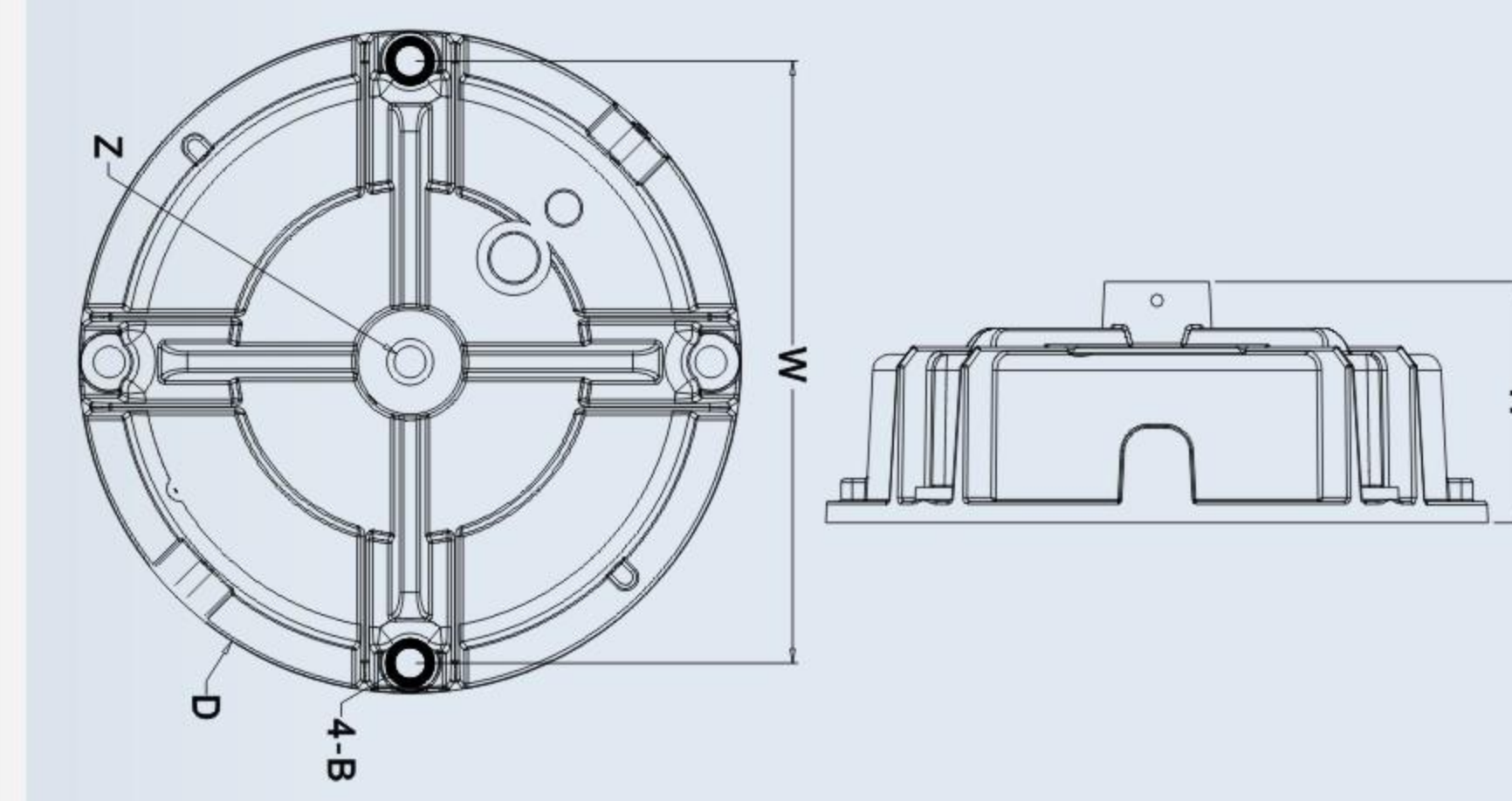
High Bay, Ceiling lamp



### Dimension

Units: mm/In

Model	D	4-B	Z	H	W
100SA	146	7	12	61.8	132
	5.75	0.28	0.47	2.43	5.20
150SA	146	7	12	61.8	132
	5.75	0.28	0.47	2.43	5.20
240SA	178.4	8.5	12	66.8	162
	7.02	0.33	0.47	2.63	6.38



### SPECIFICATION

Model	Output Voltage(V)	Output Current(A)	Output Power(W)	Efficiency	PF	Dimension(mm)
SS-100SA-56*	22-56	1.2-3.0	100.8	92.0%	0.95	φ146.2*61.8
SS-150SA-56*	22-56	2.1-4.2	151.2	92.0%	0.95	φ146.2*61.8
SS-240SA-56*	32-56	3.3-6.7	241.2	93.0%	0.95	φ178.4*66.8

Note: \*=BH, 3-in-1 dimming and Aux, (0-10V, PWM, Resistor)

Please refer to spec for more details



- Input voltage: 120-347Vac
- Non-isolated, flicker free
- 6kV/6kV surge protection
- 3-in-1 isolated dimming, Dim-to-off
- Always-on Aux (+12V)
- 5 years warranty

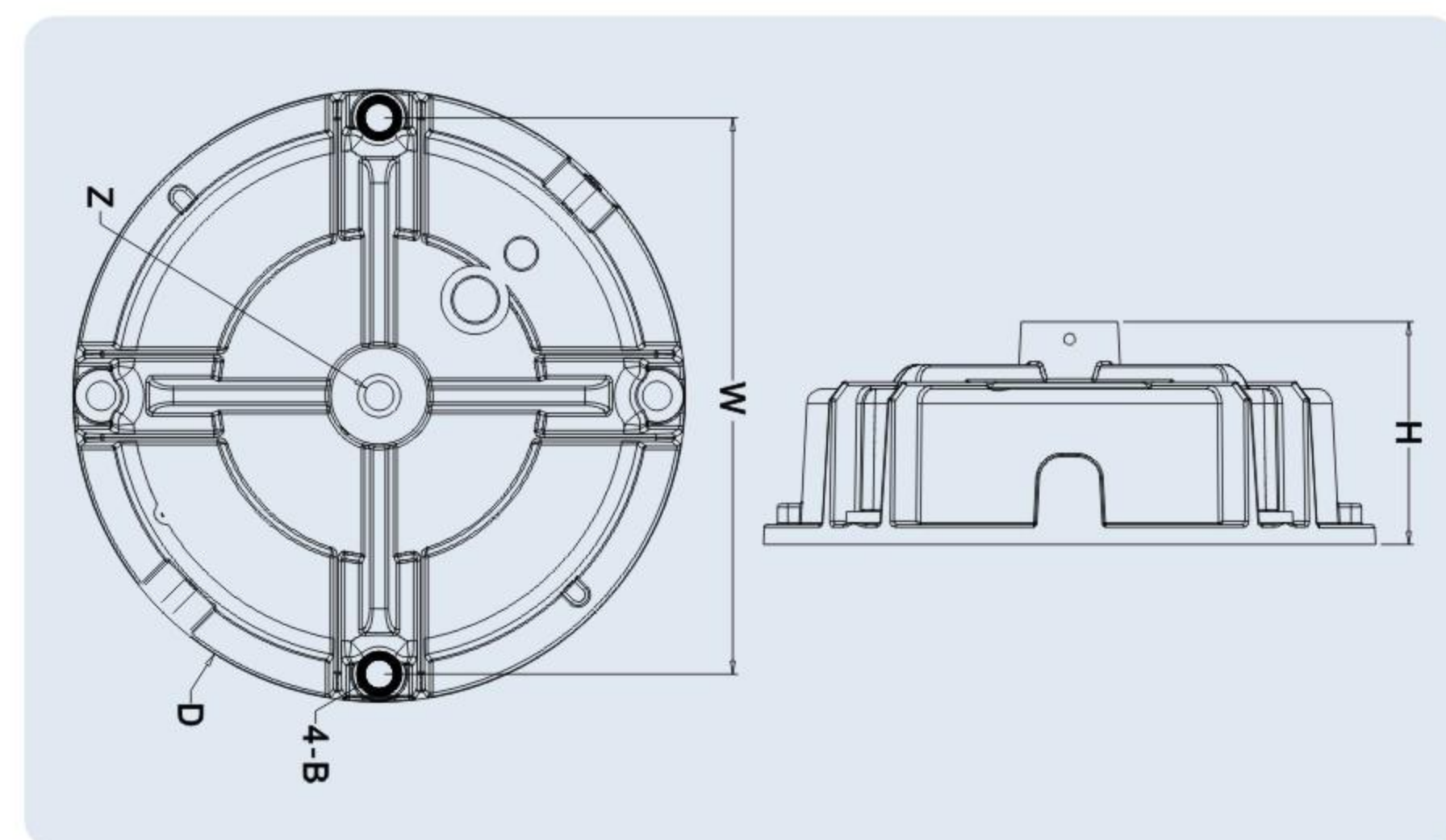


### Power Levels

120W    150W  
200W    240W

**Applications:**  
High Bay, Ceiling lamp

 **IP65**



### Dimension

Units: mm/In

Model	D	4-B	Z	H	W
120SN	146	7	12	61.8	132
	5.75	0.28	0.47	2.43	5.20
150SN	146	7	12	61.8	132
	5.75	0.28	0.47	2.43	5.20
200SN	146	7	12	61.8	132
	5.75	0.28	0.47	2.43	5.20
240SN	178.4	8.5	12	66.8	162
	7.02	0.33	0.47	2.63	6.38

### SPECIFICATION

Model	Output Voltage(V)	Output Current(A)	Output Power(W)	Efficiency	PF	Dimension(mm)
SS-120SN-130*	90-130	0.7-1.0	120	93.0%	0.97	φ146*61.8
SS-150SN-260*	180-260	0.52-0.75	150	95.0%	0.97	φ146*61.8
SS-200SN-260*	180-260	0.7-1.0	200	95.0%	0.98	φ146*61.8
SS-240SN-260*	180-260	0.84-1.2	240	95.0%	0.98	φ178.4*66.8

Note: \*=BH, 3-in-1 dimming and Aux (0-10V, PWM, Resistor).  
Please refer to spec for more details

- Input voltage: 100-277Vac
- Double-stage, Flicker free
- CV/CC Output
- 6kV/4kV surge protection
- 5 years warranty

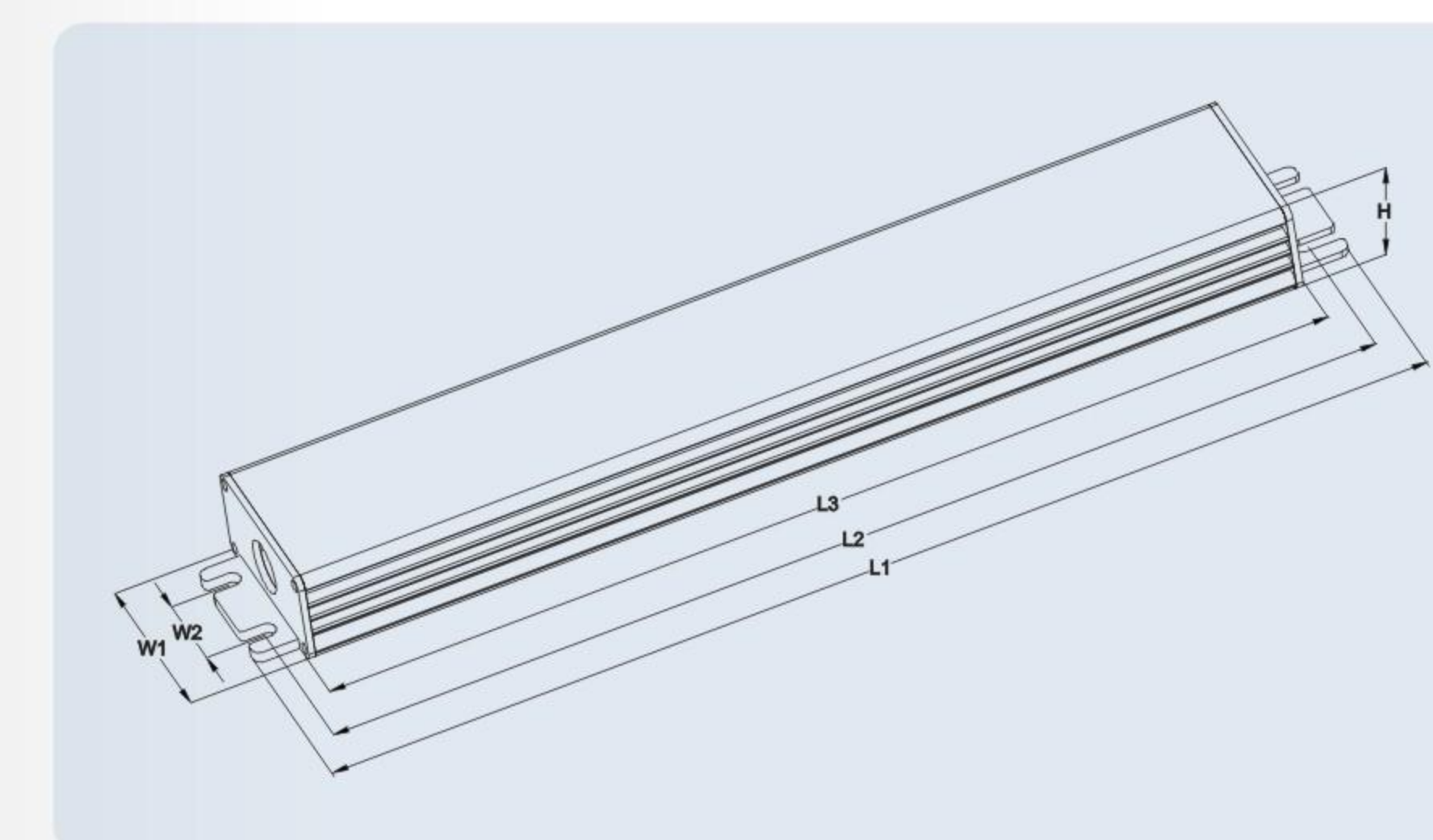


### Power Levels

35W    72W

**Applications:**  
LED strips, LED subtitles, Billboards lighting,  
Landscape lighting

 **IP67**



### Dimension

Units: mm/In

Model	L1	L2	L3	W1	W2	H
35AH	193	183.1	174	40	18	21
	7.9	7.2	6.85	1.57	0.7	0.826
72AH	240	230.1	218	40	18	21
	9.45	9.06	8.58	1.57	0.7	0.826

### SPECIFICATION

Model	Output Voltage(V)	Output Current(A)	Output Power(W)	Efficiency	PF	Dimension(mm)
SS-35AH-12	12.6	2.9	36	85.0%	0.95	193*40*21
SS-72AH-24	24	0-3.0	72	87.0%	0.97	244*40*21
SS-72AH-24	15-18	1.5-3.6	72	87.0%	0.97	244*40*21

Please refer to spec for more details



- Input voltage: 100-120/200-240Vac
- Constant current output
- 4kV/4kV(160UV) 2kV/2kV(240UV)
- 3-in-1 isolated dimming
- 3 years warranty



### Power Levels

160W    240W  
350W    450W

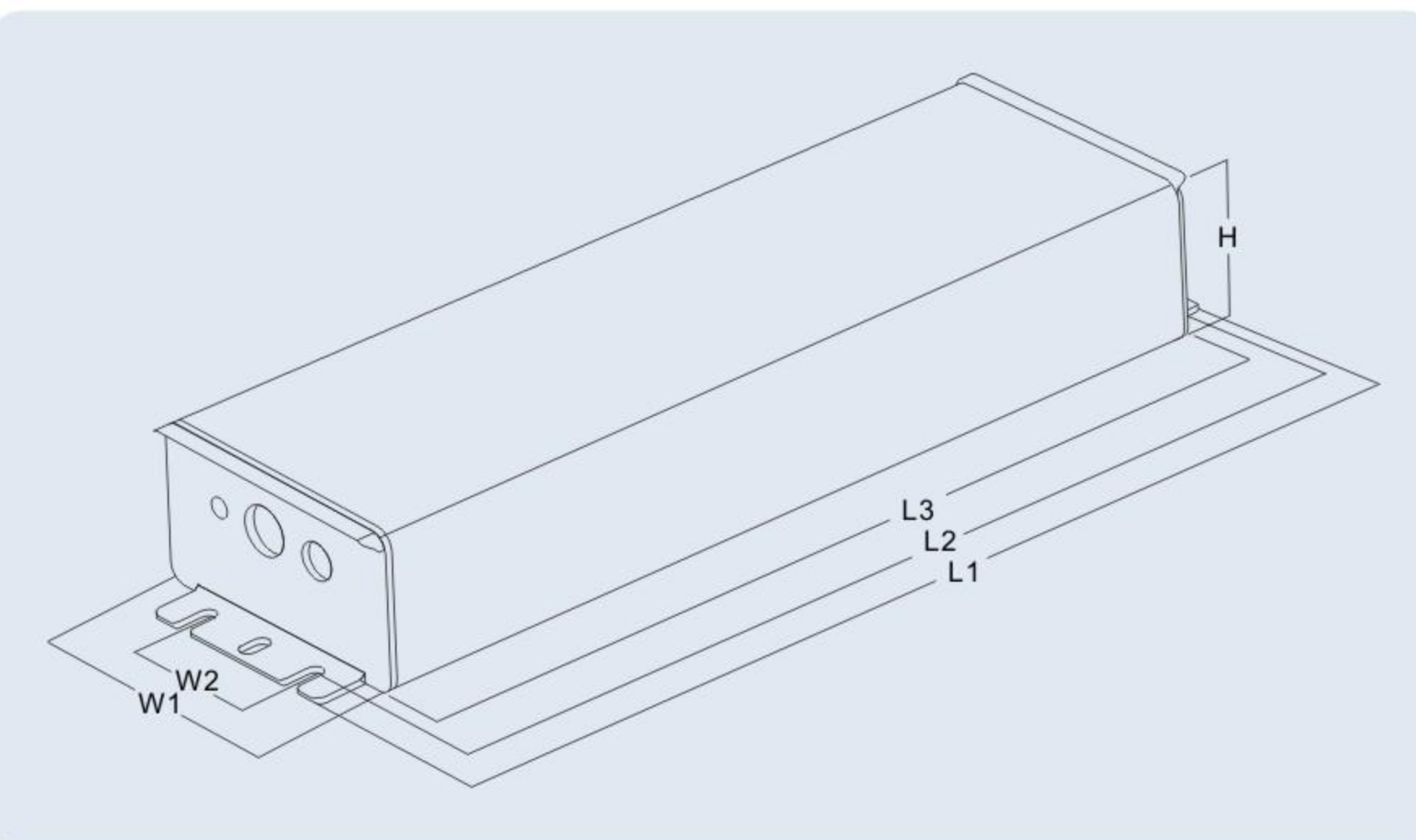
### Applications:

UVLED Exposure Unit, UVLED Printer, UVLED Tunnel device, UVLED Curing Equipment

### Dimension

Units: mm/in

Model	L1	L2	L3	W1	W2	H
160UV	179	164	154	71	34	39.6
	7.05	6.46	6.06	2.80	1.34	1.56
240UV	221	207	197	71	34	39.6
	8.70	8.15	7.76	2.80	1.34	1.56
350UV	226	150	215	115	50	30
	8.89	5.90	8.46	4.52	1.96	1.18
450UV	223	215	150	115	50	49.5
	8.78	8.46	5.9	4.53	1.96	1.94



### SPECIFICATION

Model	Input Voltage(V)	Output Voltage(V)	Output Current(A)	Output Power(W)	Efficiency	Dimension(mm)
SS-160UV-65B	200-240	40-65	1.7-2.45	159.25	92.0%	179*71*39.6
SS-240UV-75B	200-240	45-75	3.2	240	88.0%	221*71*40
SS-350UV-48B	100-120/200-240	24-48	3.65-7.3	350	88.0%	226*115*30
SS-450UV-75B	200-240	45-75	6.5	480	89.0%	224.5*115*50

Note: B,3-in-1 dimming, (0-10V, PWM, Resistor)  
Please refer to spec for more details



SS-SPD-10KV



SS-SPD-20KV



SS-SPD-IP10    SS-SPD-IS10

- Input voltage range: 100-277Vac
- L-N, L-PE, N-PE Protection mode
- Suitable for surge protection LED Driver
- Certification: FCC, CE
- Safety standard: EN61643-11, IEC61000-4-5, GB18802.1

FC CE IP67

### Power Levels

10kV    20kV

### SPECIFICATION

Model	Max.Surge Resistance Voltage (Line-Earth)	Max.Surge Resistance Voltage (Line-Line)	Discharge Current In (Max)	Clamping Voltage	Life time (times)	Connection	Wire Spec	Dimension
SS-SPD-US10	10kV	10kV	5kA	≤1400	15	series	18AWG	43.6*40.5*30
SS-SPD-UP10	10kV	10kV	5kA	≤1400	15	parallel	18AWG	43.6*40.5*30
SS-SPD-IS10	10kV	10kV	5kA	≤1650	15	series	18AWG	43.6*40.5*30
SS-SPD-IP10	10kV	10kV	5kA	≤1650	15	parallel	18AWG	43.6*40.5*30
SS-SPD-10kV	10kV	10kV	5kA	≤1500	60	series	3*1.0mm <sup>2</sup>	129.8*37*17.5
SS-SPD-20kV	20kV	20kV	10kA	≤1500	60	series	3*1.0mm <sup>2</sup>	84*38*42.5

NOTE: SS-SPD-IS10/IP10 for India Market,  
SS-SPD-UP10/SP10 for NA Market  
Please refer to spec for more details