



**PARA LIGHT ELECTRONICS CO., LTD.**

11F., No. 8, Jiankang Rd., Zhonghe Dist., New Taipei City 235, Taiwan

Tel: 886-2-2225-3733

Fax: 886-2-2225-4800

E-mail: [para@para.com.tw](mailto:para@para.com.tw)

[www.paralighttaiwan.com](http://www.paralighttaiwan.com)

**DATA SHEET**

**PART NO.: LT5050UVC-XPCA1-SCS**

**REV: A / X**

CUSTOMER'S APPROVAL: \_\_\_\_\_

DCC: \_\_\_\_\_

DRAWING NO.: DS-31P-20-0022

DATE: 2020-04-10

PAGE

1

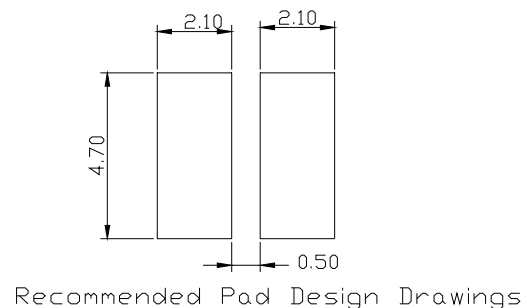
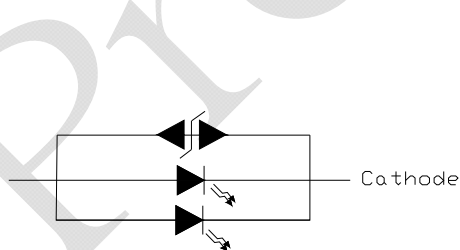
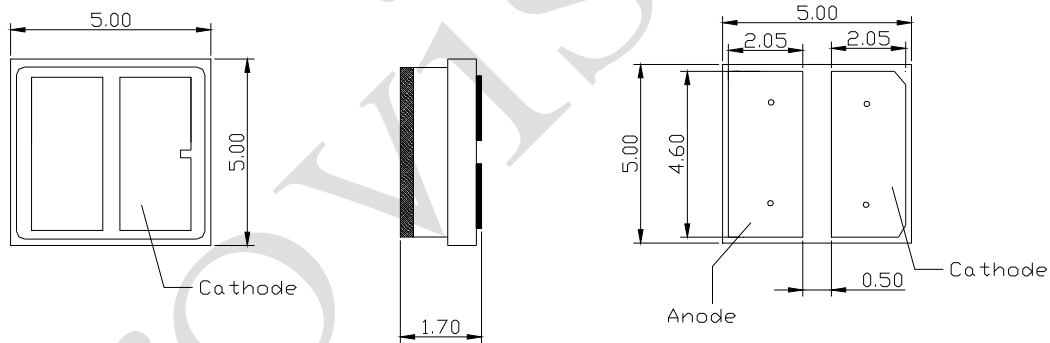
**■ Features**

- \*SIZE: 5.0\*5.0\*1.7mm
- \*Suitable for all SMT assembly and solder process
- \* Available on tape and reel
- \* Moisture sensitivity level: Level 3
- \* RoHS compliant

**■ Applications**

- \* Ultraviolet disinfection
- \* Phototherapy
- \* Bio- Analysis/ Detection
- \* General use

**■ Package Dimensions**



**Notes:**

1. All dimensions are in millimeters.
2. Tolerance is  $\pm 0.2\text{mm}$  unless otherwise noted



# SURFACE MOUNT DEVICE LED

Part No.: LT5050UVC-XPCA1-SCS

REV:A / X

## ■ Absolute Maximum Ratings( $T_a=25^{\circ}\text{C}$ )

Parameter	Symbol	Rating	Units
Power Dissipation	PD	4.0	W
Forward Current	IF	600	mA
Operating Temperature	Topr	-10~ +55	$^{\circ}\text{C}$
Storage Temperature	Tstg	-30 ~ +85	$^{\circ}\text{C}$
Junction Temperature	Tj	90	$^{\circ}\text{C}$
Thermal Resistance	R <sub>THJ-S</sub>	15	K/W

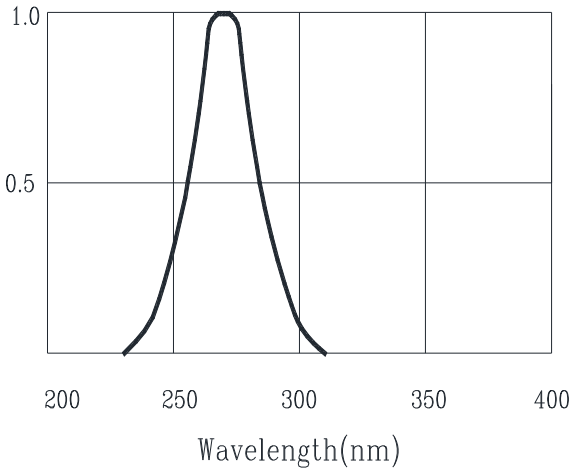
### Notes:

- 1/10 duty cycle 0.1 ms pulse width
2. The above forward voltage measurement allowance tolerance is  $\pm 0.1\text{V}$
3. ESD < 2000V

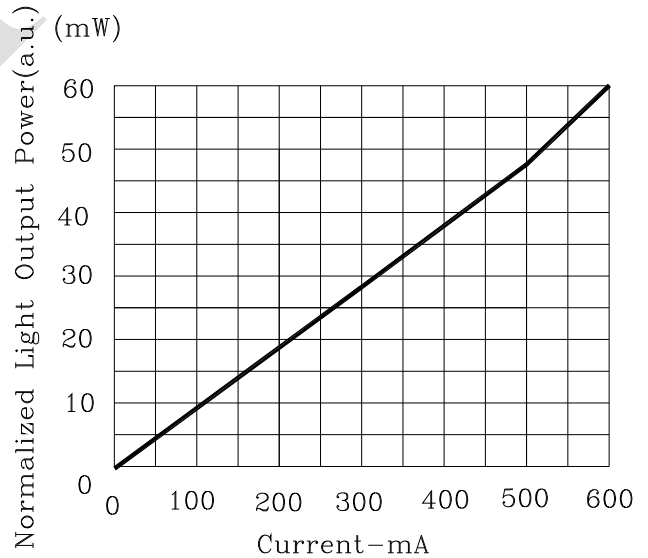
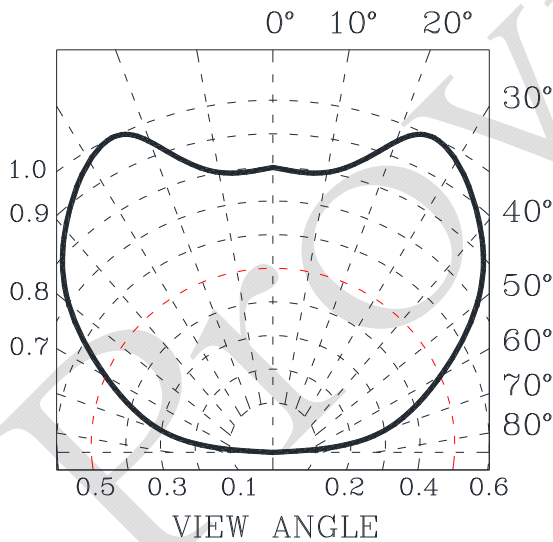
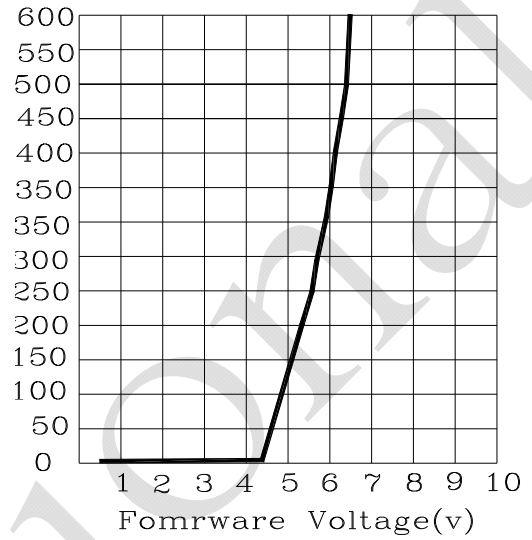
## ■ ELECTRO-OPTICAL CHARACTERISTICS : ( $T_a = 25^{\circ}\text{C}$ )

Parameter	Symbol	TEST	in	Typ	Max.	Unit
Reverse Current	IR	VR=5V			5	$\mu\text{A}$
Forward Voltage	VF	IF=350mA		7.0		V
Total Radiant Flux	$\Phi_e$	IF=600mA		80		mW
Peak wavelength	$\lambda_p$	IF=600mA		275		nm
Spectral Line Half - Width	$\Delta\lambda$	IF=600mA		11		nm
Half Intensity Angle	$2\theta_{1/2}$	IF=600mA		120		deg

■ Typical Electro-Optical Characteristics

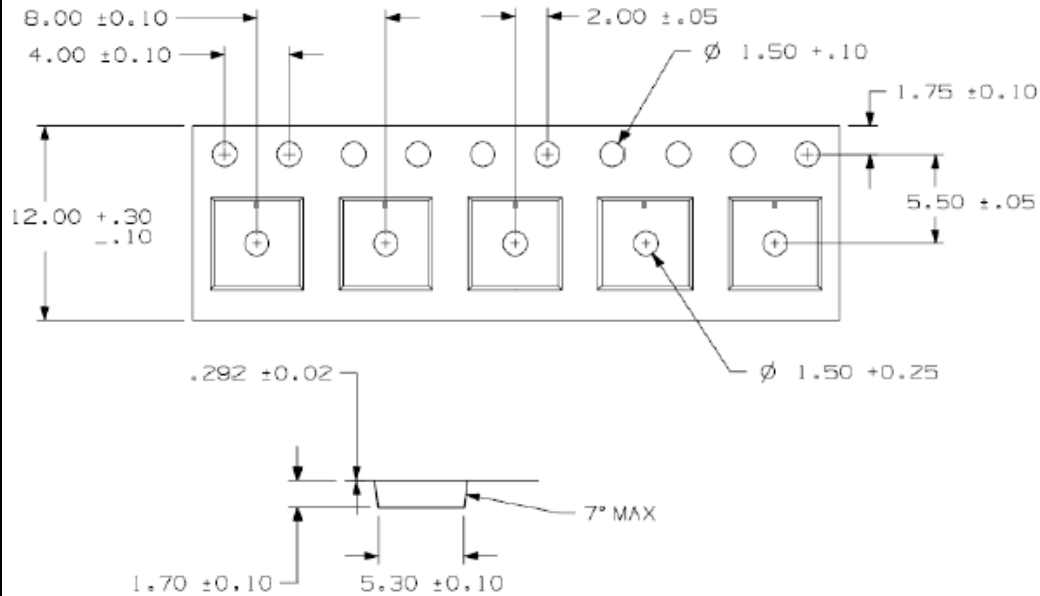


Forward Current Vs Forward Voltage



**■ Packaging**

**Carrier tape dimension**



Package: 600pcs/reel

**Reel Dimension**

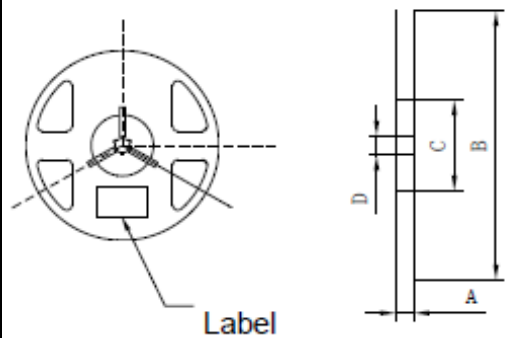


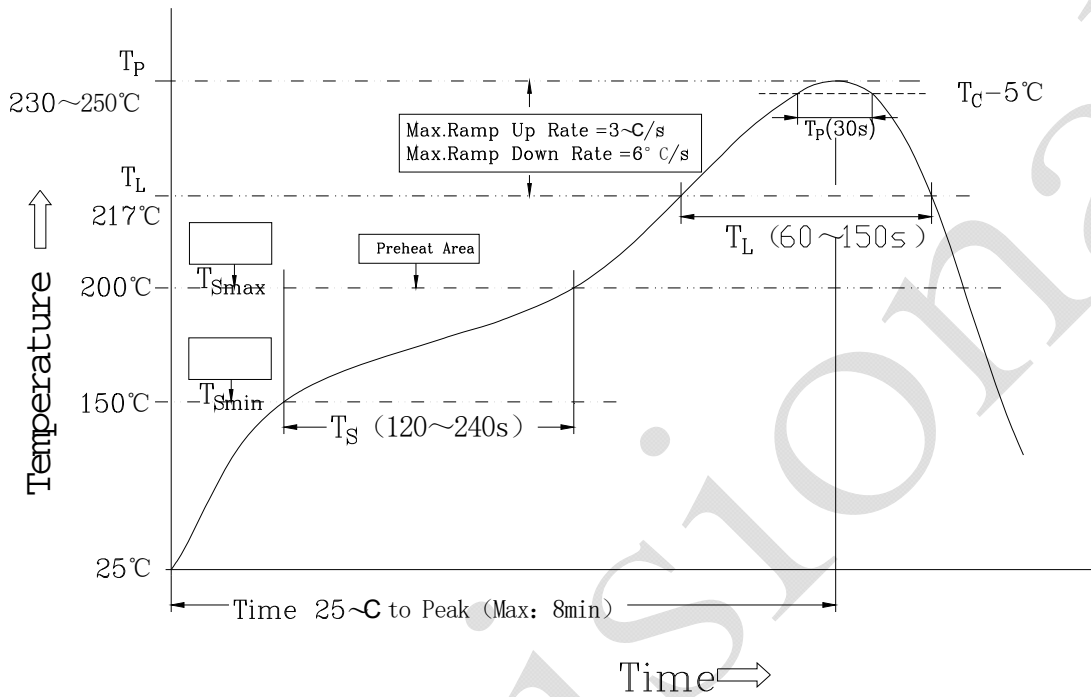
Table 2-1 Reel Dimension

A	12±0.1mm
B	178±1mm
C	60±1mm
D	13.0±0.5mm

Fig.2-2 Reel Dimension

Notes: The tolerances unless mentioned ±0.1mm, Unit: mm

**SMT Reflow Soldering Instructions**



**Notes:**

1. Reflow soldering should not be done more than two times. If more than 24 hours between the two soldering, LED will be damaged.
2. When soldering, do not put stress on the LEDs during heating.

**Soldering iron**

1. When do soldering by hand, keep the temperature of iron below less 300C less than 3 seconds
2. Soldering by hand should be done only one time

**Repairing**

Repairing should not be done after the LEDs have been soldered. When repairing is unavoidable, suitable tools must be used.

It should be confirmed in advance whether the characteristics of LEDs will or not be damaged by repairing.

**■ Cautions**

1. The encapsulated material of the LEDS is silicone. Therefore the LEDS have a soft surface on the top of package. The pressure to the top surface will be impacted on the reliability of the LEDS. Precautions should be taken to avoid the strong pressure on the encapsulated part. So when use the picking up nozzle, the pressure on the silicone resin should be proper.
2. Components should not be mounted on warped(non co plane)portion of PCB.After soldering,do not warp the circuit board.
3. Do not apply mechanical force or excess vibration during the cooling process to normal temperature after soldering. Do not rapidly cool device after soldering.

**■ Handling Precautions**

Handle the component along the side surface by using forceps or appropriate tools; Do not directly touch or Handle the silicone lens surface, it may damage the internal circuitry.

**■ Storage**

Conditions		Temperature	Humidity	Time
Storage	Before Opening Aluminum Bag	≤30°C	≤75%	Within 1 Year From Date
	After Opening Aluminum Bag	≤30°C	≤60%	24hours
Baking		60±5°C	-	≥24hours

**Notes**

1. If the moisture absorbent material(silica gel) has faded away or the LEDS have exceeded the storage time,baking treatment should be performed after unpacking and based on the following condition(65±5)°C for above 24 hours.
2. If the package is flatulence or damaged, please notify the sales staff to assist.
3. Similar to most Solid state devices;LEDs are sensitive to Electric-Static Discharge(ESD)and Electrical Over Stress(EOS).



# SURFACE MOUNT DEVICE LED

Part No.: LT5050UVC-XPCA1-SCS

REV:A / X

## ● PART NO. SYSTEM :

L – T 3535 UVC - X X X XX

Single chip : Blank  
A1 : Double Dice  
A2 : Three Dice    A3: Four Dice

E : EMC  
P: PPA/PCT  
C: ceramics

P: Viewing Angle 120    C: Angle 60  
Y: Viewing Angle 150    I: Angle 90

Dice Size:  
K:20mil    M:22mil    N: 28mil    O: 30mil  
R:35mil    T: 38mil    U:42mil    X:45mil

IR1:940nm SURFACE MOUNT DEVICE LED  
IR4:850nm SURFACE MOUNT DEVICE LED  
UVC:200-280nm    UVB:280-315nm  
UVA:315-400nm

3535    3.5\*3.5mm  
5050    5.0\*5.0mm

T :PLCC Top View Type