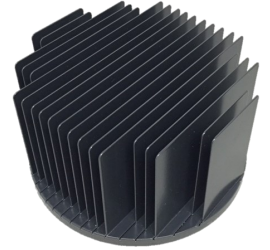


LED HEAT SINK HYC® 130c

The HYC® Series draws on the heat dissipation/cooling technologies and expertise in electronics products that Furukawa Electric has developed over many years, and with this heat dissipation performance, in addition, HYC Series has been achieved less than half the weight as compared to conventional cast aluminum and extruded heat dissipation parts. This is ideal for cooling the high power LED modules that are mainly used in high ceiling lighting for warehouses, factories, and gymnasiums, as well as outdoor floodlights and the like.



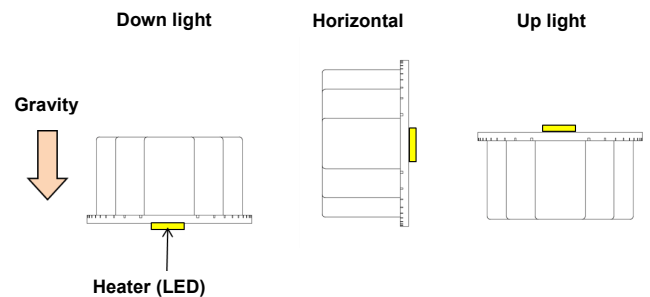
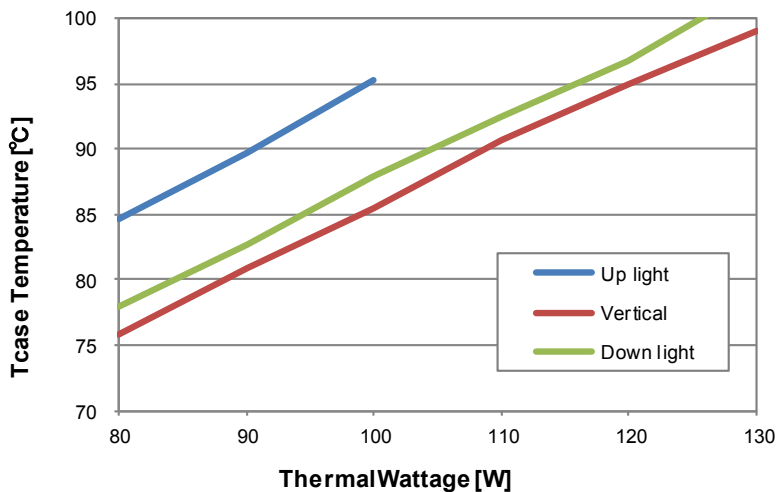
PERFORMANCE

Thermal (down light installed condition)

Thermal Wattage [W]	Thermal Resistance [°C/W]	Heat Sink T (rise above ambient) [°C]
80	0.662	52.9
100	0.629	62.9

Mechanical

Material	Aluminum
Finish/Color	Matte Black
Weight	0.78 kg
Regulatory	RoHS



<Test Condition>

Cooling Condition : Natural Convection

Ambient Temp. : 25C

Heater size : 40mm x 40mm

TIM : Shinetsu X23-7783D

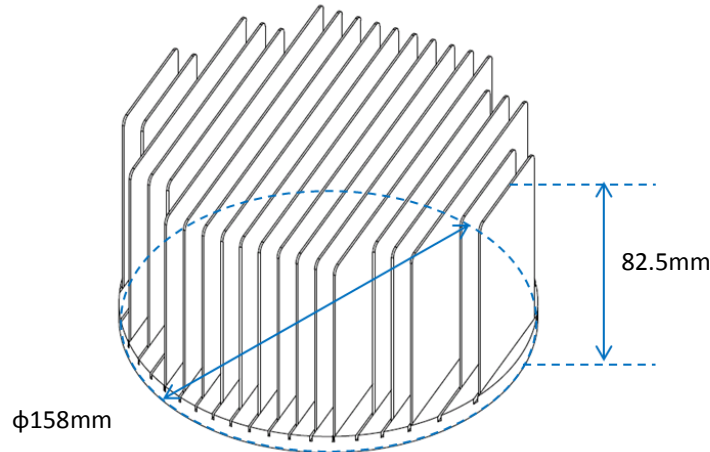
Disclaimer of Warranty:

Furukawa Electric Co., Ltd. cannot make any guarantees as to suitability of any HYC® product for any specific or general use. Customers are responsible for testing products for their unique application. Thermal performance may vary depending on the enclosure, operating orientation, ambient temperature, natural airflow and any other environmental condition. Furukawa Electric Co., Ltd cannot be liable for any incidental or consequential damages of any kind. Any and all information furnished by Furukawa Electric Co., Ltd is entitled to changes at any desired point. For additional information, please contact Furukawa Electric directly.

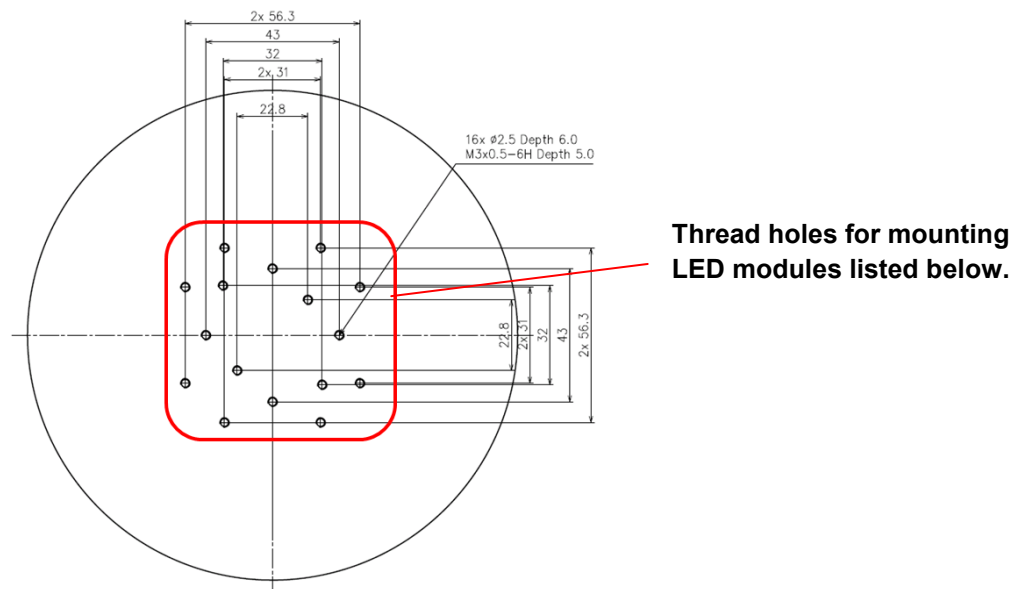


Specification Sheet

SIZE



STANDARD THREAD HOLES



ATTACHABLE LED MODULE / ENGINE

	CLU 04 Series, 05 Series
	Vero 29
	Luga Industrial 2014

*For other module application, please contact sales staff for details

Disclaimer of Warranty:

Furukawa Electric Co., Ltd. cannot make any guarantees as to suitability of any HYC® product for any specific or general use. Customers are responsible for testing products for their unique application. Thermal performance may vary depending on the enclosure, operating orientation, ambient temperature, natural airflow and any other environmental condition. Furukawa Electric Co., Ltd cannot be liable for any incidental or consequential damages of any kind. Any and all information furnished by Furukawa Electric Co., Ltd is entitled to changes at any desired point. For additional information, please contact Furukawa Electric directly.

